

PRODUCT DATA SHEET

Flamesafe® 4000 Silicone Firestopping Sealant

Classified Through-Penetration Firestop System Numbers C-AJ-0125, C-AJ-1565, C-AJ-1566, C-AJ-1567, C-AJ-1568, C-AJ-1569, C-AJ-1570, C-AJ-2339, C-AJ-2509, C-AJ-2589, C-AJ-2650, C-AJ-3278, C-AJ-4084, C-AJ-5308, C-AJ-5309, C-AJ-6039, C-AJ-7128, C-AJ-8185, C-AJ-8186, F-A-1095, F-A-3039, F-B-1027, F-B-1028, W-L-2555, W-L-2556. HW-D-0060, HW-D-0061, HW-D-0119, HW-D-0120, HW-D-0472, HW-D-0473, HW-D-1064, HW-S-0084, HW-S-0085, HW-S-0086, HW-S-1019, FW-D-1065, FW-D-1066, WW-D-0083, WW-D-0084, WW-D-0094, WW-D-0095, WW-D-1066, WW-S-1038, FF-D-1077, FF-S-1037, FF-S-1039, FF-S-1040, FW-S-1022, CW-D-2053, CW-D-2054.



June 2011



1. Product Description

Flamesafe® 4000 is a one component, fire-rated elastomeric neutral, moisture cure silicone sealant for use in through-penetration firestops. In the event of a fire, Flamesafe® 4000 will prevent the spread of flames, smoke, gas and water through penetration openings. Flamesafe® 4000 is a flexible, non-slumping sealant with excellent moisture resistance. For use in interior or exterior expansion and control joints and interior or exterior penetrations. Because Flamesafe® 4000 is silicone based, it can be used in systems where dynamic movement is expected.

Use Flamesafe® 4000 for various penetrations:

EMT, Semi-Rigid, and Rigid Conduit
Steel Pipe
Wall to Decking Transition Joints
Wall to Floor Transition Joints
Wall to Wall Control Joints
Floor to Floor Control Joints

Flamesafe® 4000 Features

- * A single component penetration sealant system - no mixing necessary and no required additives.
- * Use in Interior or Exterior Expansion, Contraction and Control Joints.
- * Use in Exterior and Interior Penetrations.
- * Neutral, Moisture Cure
- * D O T Classification is Not Regulated.
- * Non-Slump Formula.
- * Applied with a conventional caulking gun, trowel or with pumping equipment.
- * A special purpose firestop sealant.

2. Material Properties

Asbestos Fillers	None
Application	Standard 28 oz (828 ml) Caulking Tubes & 5 Gallon (18.9 L) Pails
Color	Gray
Cure Time	21 Days
Elongation at Break (ASTM D412)	600%
Volatile Solvents	None
Volume Coverage	
(cu in/10.15 oz tube)	18
(cu cm/300 ml)	295
(cu in/gal)	231
(cu cm/L)	1000
Working Time	5-15 min.
Specific Gravity	1.33
Dielectric Strength (ASTM D149)	479 V/mil (19.0 kV/mm)

ASTM E 84, UL 723 Tunnel Test

Flame Spread Index	3
Smoke Index	22
Service Temp Range (ASTM C1299)	-60°F to 300°F (-51°C to 149°C)

Flamesafe® 4000 meets ASTM C920, Type S, Grade NS, Class 25, Use NT, M, G, A, O and Can/CGSB-19.13-M87, Class MCG-2-40-A-L.

3. Applications

Flamesafe® 4000 is used to seal wall and floor penetrations for electrical, plumbing, pipe and telephone communication systems penetrations. Non-Slump Flamesafe® 4000 formula is used in vertical and horizontal ap-

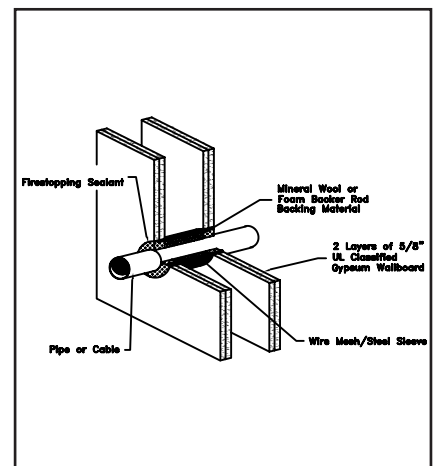
plications. Use Flamesafe® 4000 to prevent the spread of fire through fire rated gypsum wallboard partitions, concrete block or concrete walls and concrete floors.

4. Installation Data (typical)

Install Flamesafe® 4000 using standard caulking techniques or trowel from pails.

TYPICAL GYPSUM WALLBOARD INSTALLATION

- Step 1)** Cut opening in floor or wall.
Step 2) Clean penetration opening and surfaces from loose debris, dirt, oil and wax.
Step 3) Install wire mesh if required. Form wire mesh into cylinder to match hole diameter. Slip wire mesh inside wall along penetrating item and allow mesh to spring back against hole.
Step 4) Install backing material if required.
Step 5) Gun the sealant as required to the specified depth. Trowel surface flush with wall.
(Application designs vary, please contact The RectorSeal Corporation for exact details.)
Consult UL Directory for complete instructions and system listings.



5. Test Data

Flamesafe® 4000 is Classified by Underwriters Laboratories Inc. as a Fill, Void, or Cavity Material. For specific test criteria see UL Fire Resistance Directory or call RECTORSEAL.

Flamesafe® 4000 was tested at a minimum 0.01 inches (2.5 Pa) water, positive pressure, in accordance with UL 1479 and ASTM E 814 test standards.

Through-Penetration Firestop, UL System Numbers C-AJ-0125, C-AJ-1565, C-AJ-1566, C-AJ-1567, C-AJ-1568, C-AJ-1569, C-AJ-1570, C-AJ-2339, C-AJ-2509, C-AJ-2589, C-AJ-2650, C-AJ-3278, C-AJ-4084, C-AJ-5308, C-AJ-5309, C-AJ-6039, C-AJ-7128, C-AJ-8185, C-AJ-8186, F-A-1095, F-A-3039, F-B-1027, F-B-1028, W-L-2555, W-L-2556, HW-D-0060, HW-D-0061, HW-D-0119, HW-D-0120, HW-D-0472, HWD-0472, HW-D-0473, HW-D-1064, HW-S-0084, HW-S-0085, HW-S-0086, HW-S-1019, FW-D-1065, FW-D-1066, WW-D-0083, WW-D-0084, WW-D-0095, WW-D-1066, WW-S-1038, FF-D-1077, FF-S-1037, FF-S-1039, FF-S-1040, FW-S-1022, CW-D-2053, CW-D-2054.

6. Storage & Handling

Flamesafe® 4000 is not to be stored in areas where the temperatures exceed 120° F (48° C). Keep products stored under protective cover, in their original containers. Products have a minimum shelf life of 1 year subject to re-inspection thereafter. A stock rotation program is recommended.

7. Availability

Flamesafe® 4000 is available in:

28 oz. standard caulking tubes and 5 gallon (18.9 L) pails

8. Limitations

Do not use Flamesafe® 4000 in computer rooms without first consulting RectorSeal.

9. CAUTIONS

FOR CHEMICAL EMERGENCY, SPILL, LEAK, FIRE, EXPOSURE OR ACCIDENT, CALL CHEMTREC-DAY OR NIGHT 1-800-424-9300.

CONTAINS: Silicones. **PRECAUTIONS:**

Do not take internally. May cause eye, skin, and respiratory tract irritation. Wear gloves and safety glasses. Wash after handling.

FIRST AID: For any overexposure or if skin irritation develops, get immediate medical attention after first aid is given. **EYES** - Flush for 15 minutes with clean water. **SKIN** -

Wash with soap and water. Do not use solvents to remove from skin. **INHALATION**

- Remove to fresh air. **INGESTION** - DO NOT INDUCE VOMITING. **SPILLS** - Clean

up immediately with scrapers and mineral spirits. **STORAGE AND HANDLING** - Keep

container upright and tightly closed. Do not reuse container. **KEEP OUT OF REACH**

OF CHILDREN.

For additional information, refer to Material Safety Data Sheet

For additional technical service, call:

713-263-8001 or 1-800-231-3345

Fax: 713-263-7577 or 1-800-452-2824

RECTORSEAL

2601 Spenwick Drive, Houston, Texas 77055

www.rectorseal.com

http://flamesafe.rectorseal.com

10. LIMITED WARRANTY

RectorSeal makes the Limited Express Warranty that when the instructions for storage and handling of our products are followed we warrant our products to be free from defects. THIS LIMITED EXPRESS WARRANTY IS EXPRESSLY IN LIEU OF ANY OTHER EXPRESS OR IMPLIED WARRANTIES, INCLUDING ANY IMPLIED WARRANTY OF MERCHANTABILITY OR FITNESS FOR A PARTICULAR PURPOSE, AND OF ANY OTHER OBLIGATION ON THE PART OF RECTORSEAL. The sole remedy for breach of the Limited Express Warranty shall be the refund of the purchase price. All other liability is negated and disclaimed, and RectorSeal shall not be liable for incidental or consequential damages.

Suggestions and recommendations covering the use of our products are based on our past experience and laboratory findings. However, as we have no control as to the methods and conditions of application, we only assume responsibility for the uniformity of our products within manufacturing tolerances.