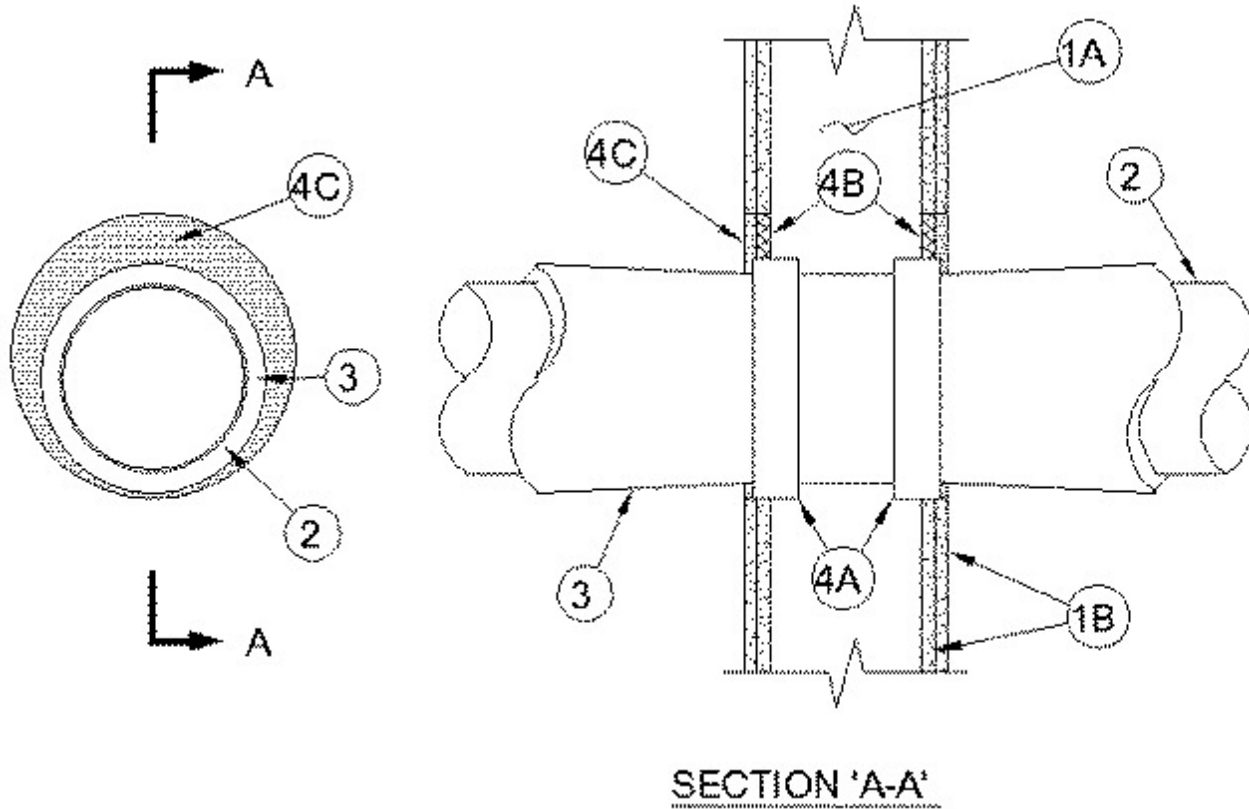




### System No. W-L-7120

July 15, 2014

ANSI/UL1479 (ASTM E814)	CAN/ULC S115
F Rating — 1 and 2 Hr (See Item 1)	F Rating — 1 and 2 Hr (See Item 1)
T Rating — 1/2 and 1 Hr (See Item 1)	FT Rating — 1/2 and 1 Hr (See Item 1)
	FH Rating — 1 and 2 Hr See Item 1)
	FTH Rating — 1/2 and 1 Hr (See Item 1)
L Rating at Ambient - Less than 1 CFM/sq ft	L Rating at Ambient - Less than 1 CFM/sq ft
L Rating at 400° F - Less than 1 CFM/sq ft	L Rating at 400° F - Less than 1 CFM/sq ft



**1. Wall Assembly** — The 1 and 2 hr fire rated gypsum board/stud wall assembly shall be constructed of the materials and in the manner specified in the individual U400 or V400 Series Wall and Partition Designs in the UL Fire Resistance Directory and shall include the following construction features.

**A. Studs** — Wall framing shall consist of min 3-5/8 in. (92 mm) wide steel studs spaced a max 24 in. (610 mm) OC.

**B. Gypsum Board\*** — Thickness, type, number of layers and fasteners as specified in the individual Wall and Partition Design. Max diam of opening is 23 in. (584 mm).

**The hourly F Rating of the firestop system is equal to the hourly fire rating of the wall assembly in which it is installed. The hourly T Rating is 1/2 and 1 Hr for 1 and 2 Hr rated assemblies, respectively.**

**2. Steel Air Duct** — Nom 20 in. (508 mm) diam(or smaller) , 28 gauge (or heavier) galv steel air duct to be installed either concentrically or eccentrically within the opening. Duct to be rigidly supported on both sides of wall assembly.

**3. Duct Insulation\*** — Nom 1-1/2 in. (38 mm) thick glass fiber blanket insulation jacketed on the outside with foil-scrim-kraft facing. Longitudinal and transverse joints sealed with foil-scrim kraft tape. The annular space between the

wrap strip (item 4A) and the periphery of the opening shall be min 0 in. (point of contact) to max 1-1/8 in. (29 mm).

See **Batts and Blankets** (BKNV) category in the Building Materials Directory for names of manufacturers. Any batts and blankets material meeting the above specifications and bearing the UL Classification Marking with a Flame Spread Index of 25 or less and a Smoke Developed Index of 50 or less may be used.

4. **Firestop System** — The firestop system shall consist of the following:

A. **Wrap Strip** — One layer of nom 1/4 in. (6 mm) thick intumescent material supplied in 1-1/2 in. (38 mm) wide strips tightly wrapped around duct insulation, with a max insulation compression ratio of 50%, and held in place with masking tape. Wrap strip slid into annulus on both sides of wall such that wrap strip is recessed 5/8 in. (16 mm) from both surfaces of wall.

**RECTORSEAL** — FlameSafe Wrap Strip

B. **Packing Material** — (Optional) — Mineral wool or fiberglass insulation or foam backer rod compressed and firmly packed into annular space from each end of opening and recessed 5/8 in. (16 mm) from each wall surface.

C. **Fill, Void or Cavity Material\* - Sealant** — Min 5/8 in. (16 mm) thickness of fill material applied within annulus, flush with both surfaces of wall assembly.

**RECTORSEAL** — FS 900+ Sealant, Metacaulk MC 150+, Biostop BF 150+

\* Indicates such products shall bear the UL or cUL Certification Mark for jurisdictions employing the UL or cUL Certification (such as Canada), respectively.