

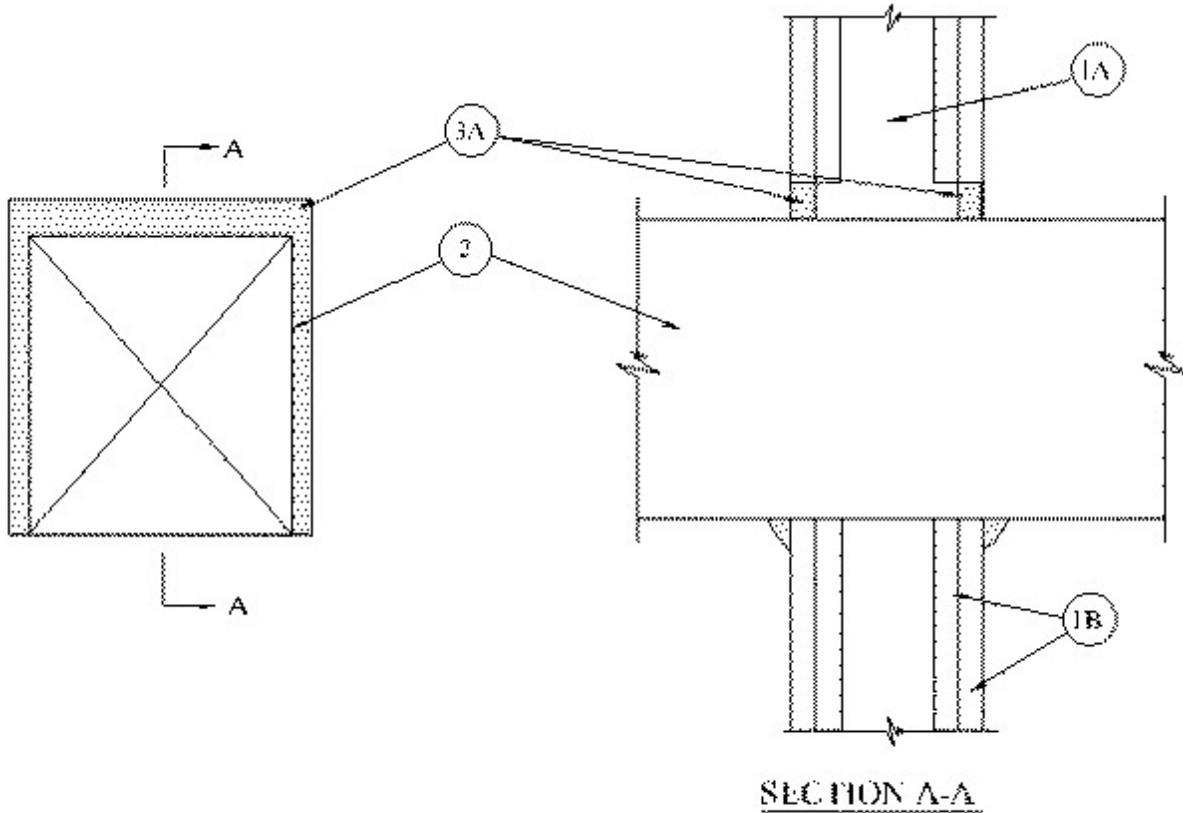


System No. W-L-7097

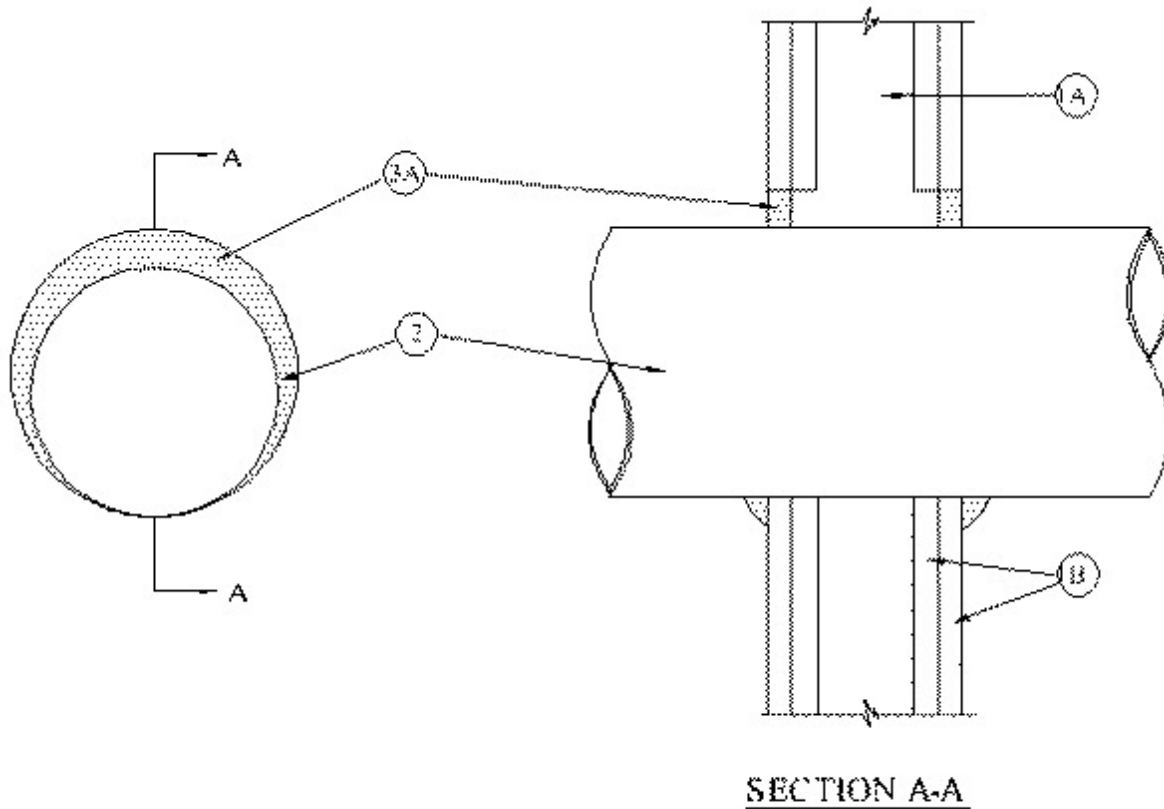
December 22, 2003

F Ratings — 1 and 2 Hr (See Item 1)

T Rating — 1/4 Hr



CONFIGURATION A



CONFIGURATION B

Firestop Configuration A

1. **Wall Assembly** — The 1 or 2 hr fire-rated gypsum board/stud wall assembly shall be constructed of the materials and in the manner specified in the individual U300 or U400 Series Wall and Partition Designs in the UL Fire Resistance Directory and shall include the following construction features:

A. **Studs** — Wall framing shall consist of wood studs or steel channel studs. Wood studs to consist of 2 by 4 in. lumber spaced 16 in. OC. Steel studs to be min 3-1/2 in. wide and spaced max 24 in. OC.

B. **Gypsum Board*** — Min 5/8 in. thick, 4 ft wide with square or tapered edges. The gypsum board type, thickness, number of layers and orientation shall be as specified in the individual U300 or U400 Wall and Partition Design. Max area of opening is 289 sq. in. with a max dimension of 17 in.

The F Rating of the firestop system is equal to the fire rating of the wall assembly in which it is installed.

2. **Steel Duct** — Nom 16 by 16 in. (or smaller) No. 24 gauge (or heavier) or nom 12 by 12 in. (or smaller) No. 26 gauge (or heavier) steel duct to be installed either concentrically or eccentrically within the opening. The annular space shall be min 0 in. (point contact) to max 1 in. Duct to be rigidly supported on both sides of wall assembly.

Firestop Configuration B

1. **Wall Assembly** — The 1 or 2 hr fire-rated gypsum board/stud wall assembly shall be constructed of the materials and in the manner specified in the individual U300 or U400 Series Wall and Partition Designs in the UL Fire Resistance Directory and shall include the following construction features:

A. **Studs** — Wall framing shall consist of wood studs or steel channel studs. Wood studs to consist of 2 by 4 in. lumber spaced 16 in. OC. Steel studs to be min 3-1/2 in. wide and spaced max 24 in. OC.

B. **Gypsum Board*** — Min 5/8 in. thick, 4 ft wide with square or tapered edges. The gypsum board type, thickness, number of layers and orientation shall be as specified in the individual U300 or U400 Wall and Partition Design. Max diam of opening is 17 in.

The F Rating of the firestop system is equal to the fire rating of the wall assembly in which it is installed.

2. **Steel Duct** — Nom 16 in. diam (or smaller) No. 24 gauge (or heavier) or nom 12 in. diam (or smaller) No. 26 gauge (or heavier) steel duct to be installed either concentrically or eccentrically within the opening. The annular space shall be min 0 in. (point contact) to max 1 in. Duct to be rigidly supported on both sides of wall assembly.

3. **Firestop System** — The firestop system shall consist of the following:

A. **Fill Void or Cavity Material* — Caulk** — Min 5/8 in. thickness of fill material applied within the annulus, flush with each side of the wall. Additional 1/2 in. diam bead of caulk to be applied to duct/wall interface at point contact location.

RECTORSEAL — Metacaulk 1000

*Bearing the UL Classification Mark