

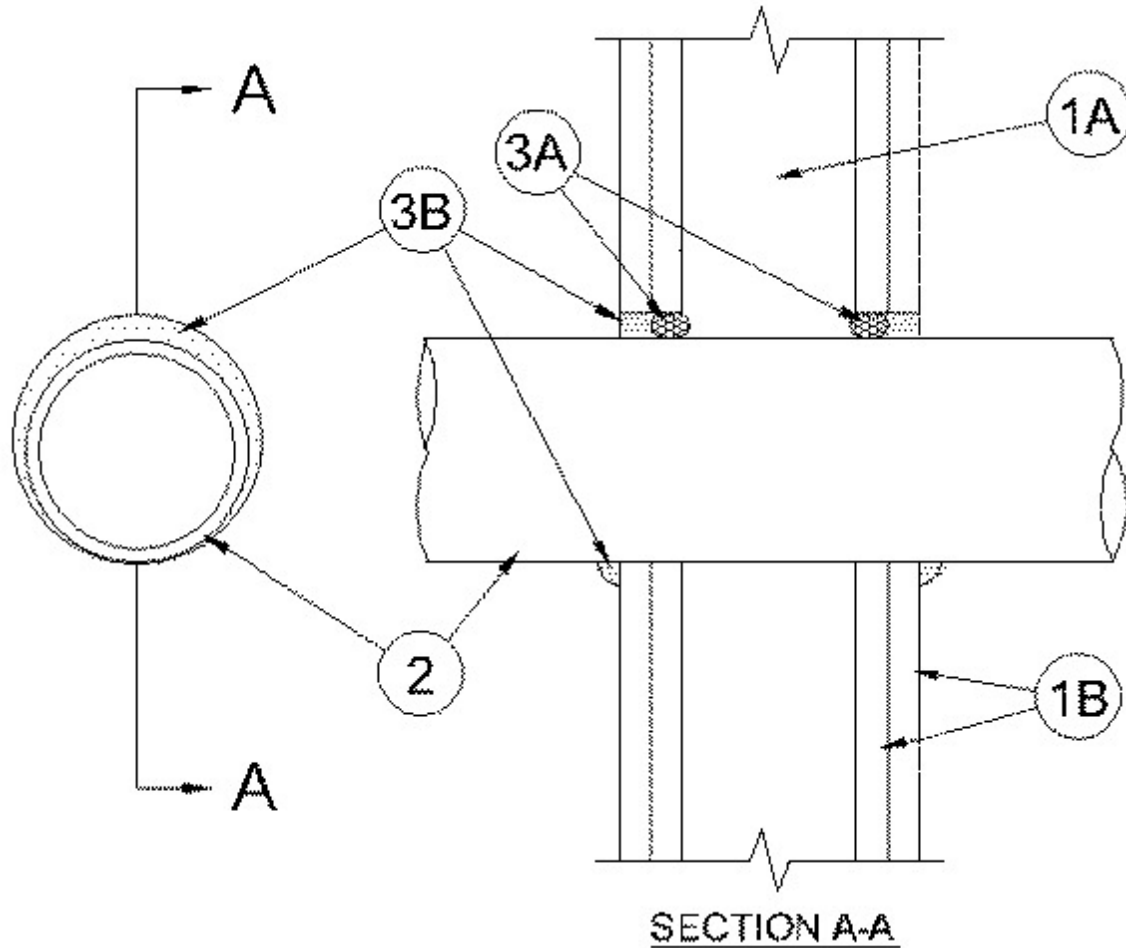


System No. W-L-7076

October 07, 2002

F Ratings — 1 and 2 Hr (See Item 1)

T Ratings — 0 and 1 Hr (See Item 1)



1. **Wall Assembly** — The 1 or 2 hr fire-rated gypsum board/stud wall assembly shall be constructed of the materials and in the manner specified in the individual U300 or U400 Series Wall and Partition Designs in the UL Fire Resistance Directory and shall include the following construction features:

A. **Studs** — Wall framing shall consist of either wood or steel channel studs. Wood studs to consist of nom 2 by 4 in. lumber spaced 16 in. OC. Steel studs to be min 2-1/2 in. wide and spaced max 24 in. OC.

B. **Gypsum Board*** — One or two layers of 5/8 in. thick, 4 ft wide gypsum board with square or tapered edges. The gypsum board type, thickness, number of layers and orientation shall be as specified in the individual U300 or U400 Wall and Partition Design. Max diam of opening is 5 in.

The hourly F Rating is equal to the hourly rating of the assembly in which the firestop system is installed. When the F Rating is 2 hr, the T Rating is 1 hr. When the F Rating is 1 hr, the T Rating is 0 hr.

2. **Through Penetrants** — One metallic vent duct to be installed concentrically or eccentrically within the firestop system. A nom annular space of min. 0 in. (point contact) to max 1 in. is required within the firestop system. Duct to be rigidly supported on both sides of wall assembly. The following types and sizes of ducts may be used:

A. **Steel Rigid Vent Duct** — Nom 4 in. diam (or smaller) 28 ga (or heavier) steel rigid vent duct.

3. **Firestop System** — The firestop system shall consist of the following:

A. **Packing Material** — For 2 Hr wall assemblies, foam backer rod firmly packed into opening as a permanent form. Packing material to be recessed from both surfaces of wall as required to accommodate the required thickness of fill material.

B. **Fill, Void or Cavity Material*- Caulk** — Min 5/8 in. thickness of fill material applied within the annulus, flush with both surfaces of wall. At point contact location, a min 1/2 in. diam bead of fill material shall be applied to the gypsum board/duct interface on both surfaces of wall.

RECTORSEAL — Metacaulk 1000

*Bearing the UL Classification Mark