

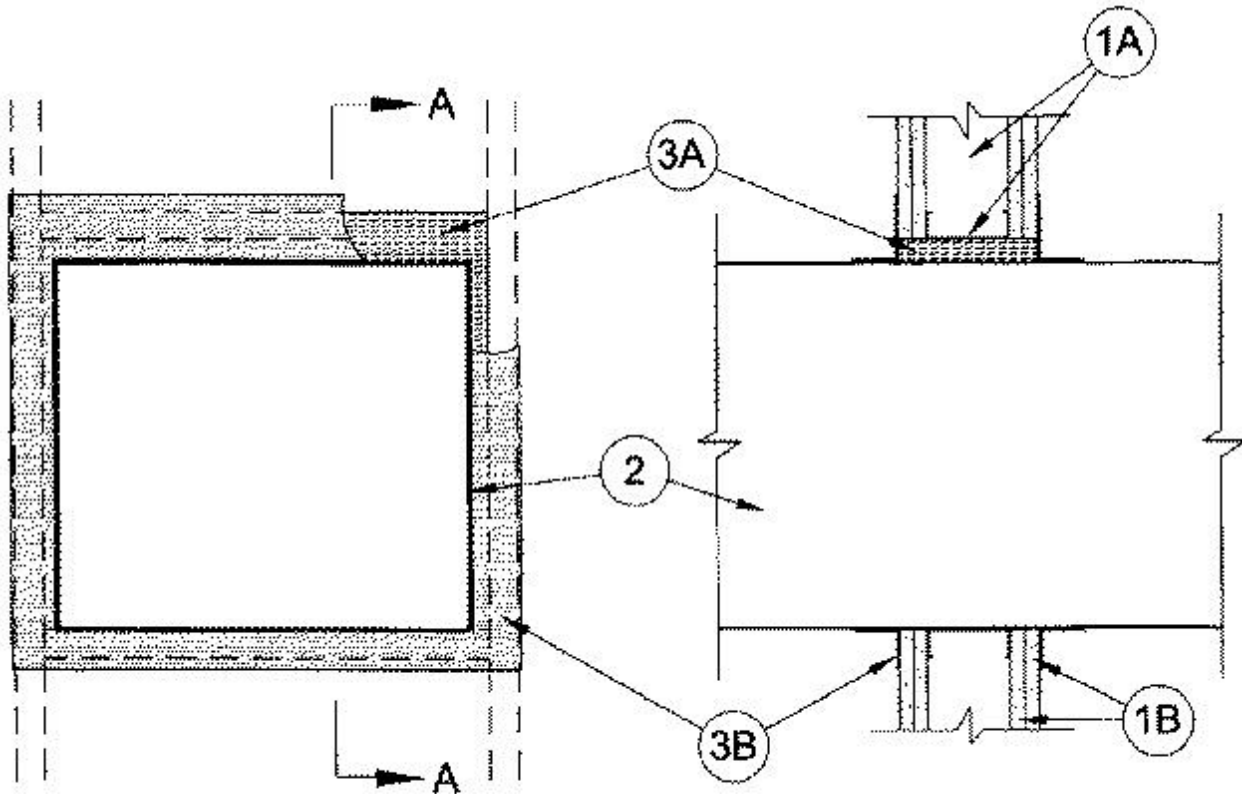


System No. W-L-7047

June 07, 2004

F Ratings — 1 and 2 Hr (See Item 1)

T Rating — 0 Hr



Section A-A

1. **Wall Assembly** — The 1 or 2 hr fire-rated gypsum wallboard/stud wall assembly shall be constructed of the materials and in the manner specified in the individual U400 Series Wall and Partition Designs in the UL Fire Resistance Directory and shall include the following construction features:

A. **Studs** — Wall framing shall consist of steel channel studs. Steel studs to be min 3-1/2 in. wide and spaced max 24 in. OC. Additional framing members shall be used to completely frame around opening.

B. **Gypsum Board*** — Min 5/8 in. thick, 4 ft wide with square or tapered edges. The gypsum wallboard type, thickness, number of layers and orientation shall be as specified in the individual U400 Wall and Partition Design. Max size of opening is 576 sq in. with a max dimension of 24 in.

The hourly F Rating of the firestop system is equal to the hourly fire rating of the wall assembly in which it is installed.

2. **Steel Duct** — Nom 23 by 23 in. (or smaller) No. 24 gauge (or heavier) steel duct to be installed either concentrically or eccentrically within the opening. The annular space shall be min 0 in. (point contact) to max 1 in. Duct to be rigidly supported on both sides of wall assembly.

3. **Firestop System** — The firestop system shall consist of the following:

A. **Packing Material** — Min 6 in. thickness of min 4 pcf mineral wool batt insulation firmly packed into opening as a permanent form, flush with both surfaces of wall.

B. Fill Void or Cavity Material*— Caulk — Min 1/8 in. wet thickness of fill material sprayed or brushed on each side of the wall to completely cover mineral wool packing material and to overlap a min of 2 in. onto wallboard and duct.

RECTORSEAL — Metacaulk 1200 Spray, Metacaulk 1200 Caulk Grade, MC150+

*Bearing the UL Classification Mark