

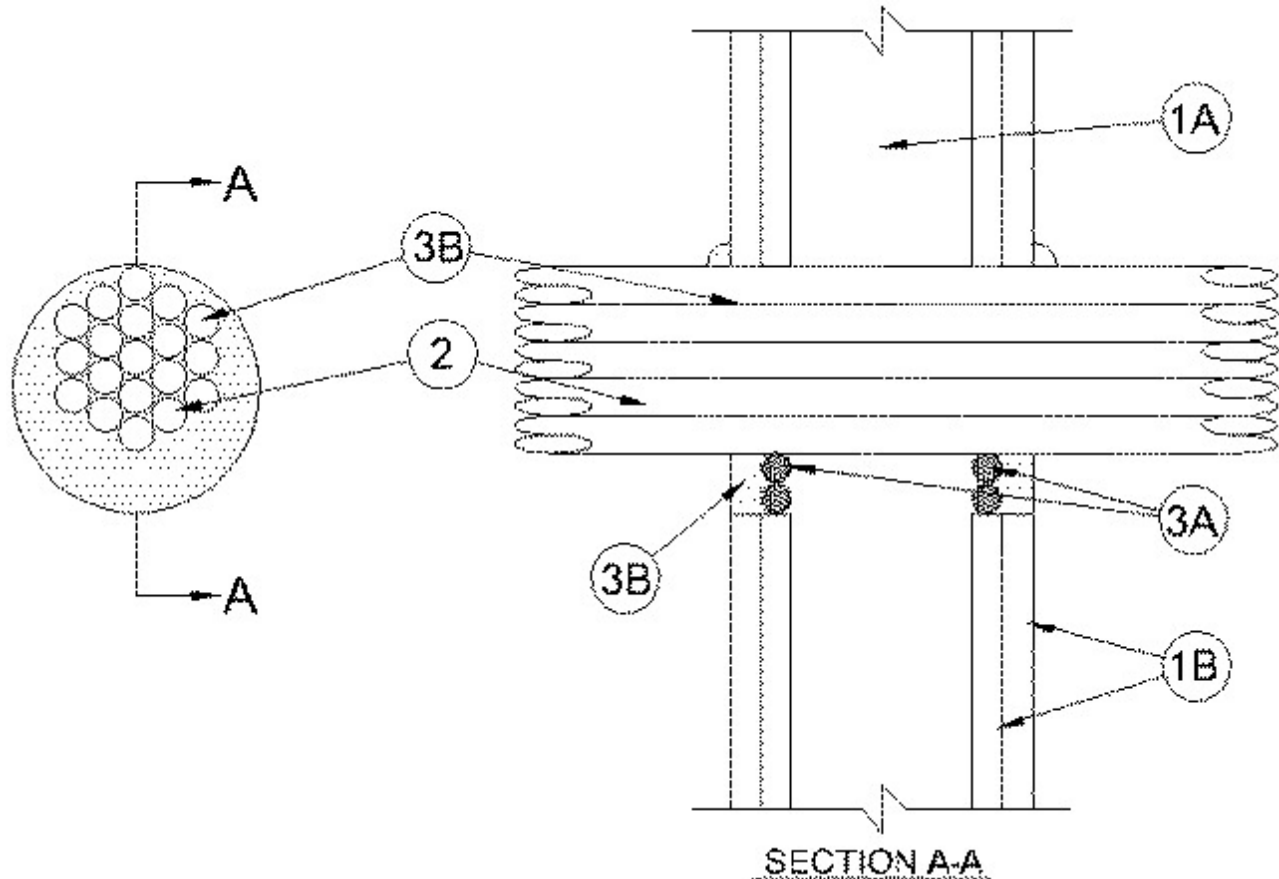


System No. W-L-3188

October 07, 2002

F Ratings — 1 and 2 Hr (See Item 1)

T Ratings — ½ and ¾ Hr (See Item 2)



1. Wall Assembly — The 1 or 2 hr fire-rated gypsum board/stud wall assembly shall be constructed of the materials and in the manner specified in the individual U300 or U400 Series Wall and Partition Designs in the UL Fire Resistance Directory and shall include the following construction features:

A. Studs — Wall framing may consist of either wood studs or steel channel studs. Wood studs to consist of nom 2 by 4 in. lumber spaced 16 in. OC. Steel studs to be min 3-1/2 in. wide and spaced max 24 in. OC.

B. Gypsum Board* — One or two layers of nom 5/8 in. thick gypsum board as specified in the individual Wall and Partition Design. Max diam of opening is 4 in.

The hourly F Rating of the firestop system is equal to the hourly fire rating of the wall assembly.

2. Cables — Aggregate cross-sectional area of cables to be min 25 percent to max 64 percent of the aggregate cross-sectional area of the opening. Cables to be tightly bundled and rigidly supported on both sides of wall assembly. The annular space between the cables and the periphery of opening shall be min 0 in. (point contact) to max 2 in. Any combination of following types and sizes of copper conductor cables may be used:

A. Max 2/C with ground, No. 12 AWG MC (BX) cable with polyvinyl chloride (PVC) insulation on conductors inside a steel armored jacket.

B. Max 3/C with ground, No. 12 AWG (or smaller) nonmetallic sheathed (Romex) cable with copper conductors, PVC insulation and jacket.

C. Max 3/C with ground, No. 10 AWG (or smaller) nonmetallic sheathed (Romex) cable with copper conductors, PVC insulation and jacket.

D. Max 25 pair, No. 20 AWG (or smaller) copper conductor telephone cable with XLPE/PVC insulation, with or without PVC jacket.

E. Max RG59/U (or smaller) television coaxial cable with fluorinated ethylene insulation and jacketing.

F. Max 4 pair, No. 24 AWG (or smaller) copper conductor data cable with Hylar insulation and jacketing.

G. Max 2/C, No. 22 AWG (or smaller) copper conductor alarm cable with PVC insulation.

H. Max 1/C, No. 14 AWG (or smaller) Type MTW or THHN or THWN or gas & oil res II 600V (UL) or AWM VW-1 power cable.

I. Max 1/C, No. 10 AWG (or smaller) Type THHN or THWN gasoline & oil resistant II 600V VW-1 E116364 (UL) power cable.

J. Max 4/C, No. 18 AWG Type CL-2 Barostat II Sun res (UL) Listed thermostat cable.

K. Max 3/C, No. 4/0 with ground, AWG aluminum Triple E Alloy AA8176 Type SE cable Style U Type XHH-W-2 CDRS E32071 (UL) service entrance cable.

When annular space is greater than 1 in., the T Rating is ½ hr. When annular space is 1 in. or less, T Rating is ¾ hr.

3. Firestop System — The firestop system shall consist of the following:

A. **Packing Material** — For 2 hr wall assemblies, foam backer rod firmly packed into opening as a permanent form. Packing material to be recessed from both surfaces of wall as required to accommodate the required thickness of fill material.

B. **Fill, Void or Cavity Material* - Caulk** — Min 5/8 in. thickness of fill material applied within the annulus, flush with both surfaces of wall. At point contact location, ½ in. diam bead of caulk applied at interface of cables and periphery of opening on both surfaces of wall.

RECTORSEAL — MC 150+

*Bearing the UL Classification Mark