

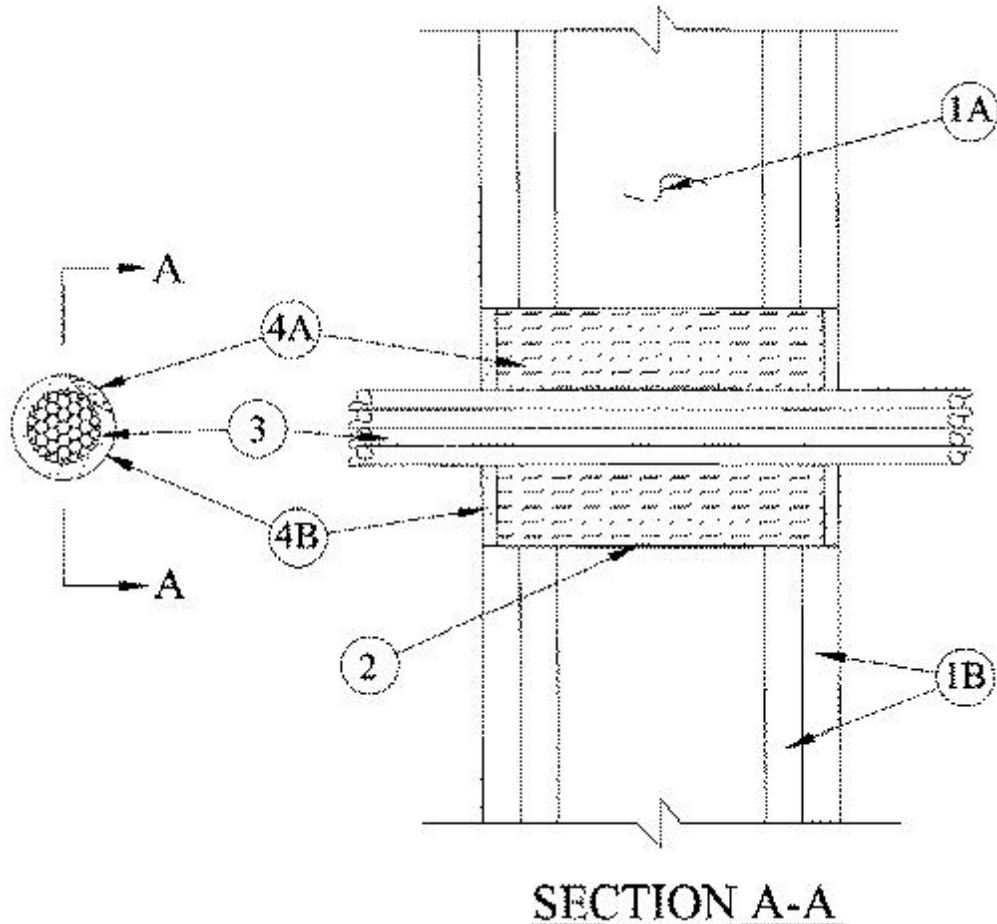


System No. W-L-3152

August 06, 2003

F Ratings — 1 and 2 Hr (See Item 1)

T Rating — 0 Hr



1. **Wall Assembly** — The 1 or 2 hr fire-rated gypsum board/stud wall assembly shall be constructed of the materials and in the manner specified in the individual U300 or U400 Series Wall and Partition Designs in the UL Fire Resistance Directory and shall include the following construction features:

A. **Studs** — Wall framing shall consist of either wood or steel channel studs. Wood studs to consist of nom 2 by 4 in. lumber spaced 16 in. OC. Steel studs to be min 3-1/2 in. wide and spaced max 24 in. OC.

B. **Gypsum Board*** — Min 5/8 in. thick, 4 ft wide with square or tapered edges. The gypsum board type, thickness, number of layers and orientation shall be as specified in the individual U300 or U400 Wall and Partition Design. Max diam of opening is 4 in.

The hourly F Rating of the firestop system is equal to the hourly fire rating of the wall assembly in which it is installed.

2. **Steel Wire Mesh** — Cylindrical sleeve fabricated from No. 8 steel wire mesh and having a min 2 in. lap along the longitudinal seam. Length of steel mesh to be 1/2 in. less than thickness of wall. Steel wire mesh to be centered and formed to fit periphery of through opening.

3. **Cables** — Aggregate cross-sectional area of cables in opening to be max 8 percent of the cross-sectional area of the opening. Cables to be bundled with bundle centered in opening. Cables to be rigidly supported on both sides of wall assembly. Any combination of the following types and sizes of copper conductor cables may be used:

A. Max 25 pr No. 24 AWG telephone cables with polyvinyl chloride (PVC) insulation and jacket.

B. Max 4 pr No. 24 AWG telephone cables with PVC insulation and jacket.

C. Max 2/C with ground No. 12 AWG Type NM nonmetallic sheathed (Romex) cable with PVC insulation and jacket.

3A. Through Penetrating Product* — (Not Shown) As an alternate Item 3, through-penetrating product to be installed within the opening. Aggregate cross-sectional area of through-penetrating product in opening to be max 8 percent of the cross-sectional area of the opening. Through-penetrating product to be bundled and centered in opening. Through penetrating product rigidly supported on both sides of wall assembly. Any combination of the following types and sizes of through-penetrating products may be used:

A. Max two twisted copper conductors No. 10 AWG (or smaller) **Power Limited Fire Alarm Cable+** with or without a jacket under a metal armor.

AFC CABLE SYSTEMS INC

B. Max two twisted copper conductors No. 12 AWG (or smaller) **Non Power Limited Fire Alarm Cable+** with or without a jacket under a metal armor.

AFC CABLE SYSTEMS INC

C. Max two copper conductor with ground No. 12 AWG **Metal-Clad Cable+**.

AFC CABLE SYSTEMS INC

4. Firestop System — The firestop system shall consist of the following:

A. **Packing Material** — Min 4-1/4 or 5-1/2 in. thickness of min 4 pcf mineral wool batt insulation firmly packed into opening as a permanent form for 1 or 2 hr rated wall, respectively. Packing material to be recessed from both surfaces of wall as required to accommodate the required thickness of fill material.

B. **Fill, Void or Cavity Material* - Caulk** — Min 1/4 in. thickness of fill material applied within the annulus, flush with both surfaces of wall. Fill material forced into interstices of cable bundle to max extent possible.

RECTORSEAL — Metacaulk 1000

*Bearing the UL Classification Mark