

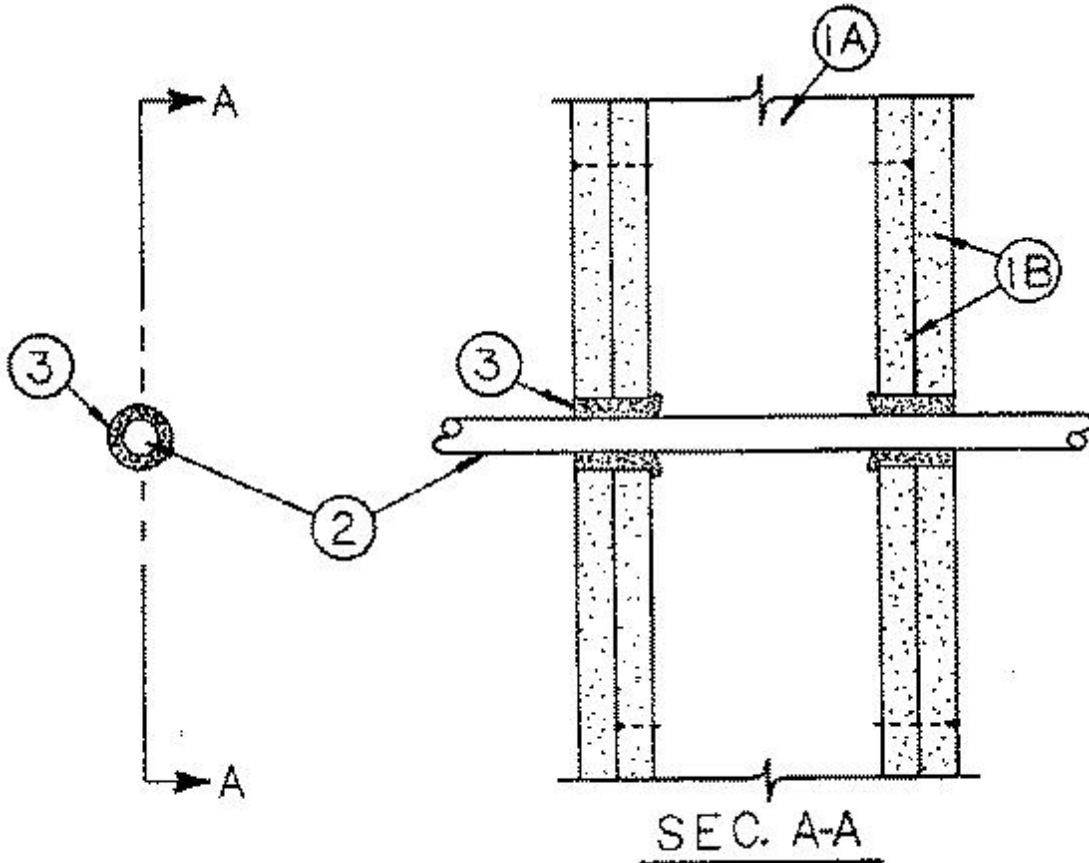


System No. W-L-3104

November 04, 1997

F Rating — 2 Hr

T Rating — 2 Hr



1. **Wall Assembly** — The fire rated gypsum wallboard/stud wall assembly shall be constructed of the materials and in the manner specified in the individual U300 or U400 Series Wall and Partition Designs in the UL Fire Resistance Directory and shall include the following construction features:

A. **Studs** — Wall framing may consist of either wood studs or steel channel studs. Wood studs to consist of nom 2 by 4 in. lumber spaced 16 in. OC. Steel studs to be min 3-5/8 in. wide and spaced max 24 in. OC.

B. **Gypsum Board*** — Two layers of nom 5/8 in. thick gypsum wallboard, as specified in the individual Wall and Partition Design. Max diam of opening is 1/2 in.

2. **Cables** — Max one cable to be installed within the opening. Cable to be rigidly supported on both sides of wall assembly. Any one of the following types of cable may be used:

A. Max 25 pair, No. 24 AWG telephone cable with polyvinyl chloride (PVC) insulation and jacket materials.

B. Max 7/C No. 12 AWG (or smaller) cable with PVC insulation and jacket.

C. Max 50 conductor fiber optic cable with PVC jacket.

3. **Fill, Void or Cavity Material*** — **Caulk** — Min 1-1/4 in. thickness of fill material applied within annulus, flush with both surfaces of wall assembly.

RECTORSEAL — Metacaulk 835+

*Bearing the UL Classification Mark