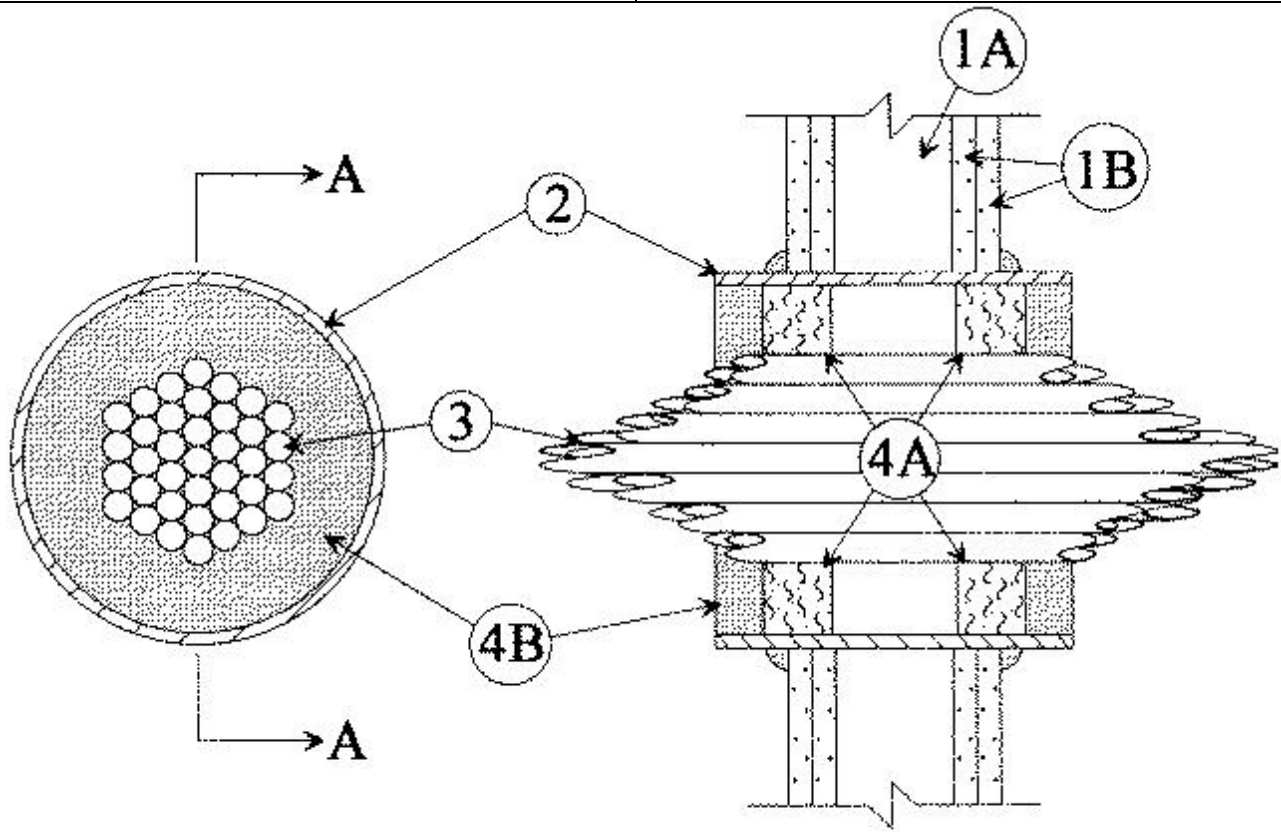




System No. W-L-3072

February 04, 2014

| ANSI/UL1479 (ASTM E814) | CAN/ULC S115 |
|-------------------------------------|--------------------------------------|
| F Ratings — 1 and 2 Hr (See Item 1) | F Ratings — 1 and 2 Hr (See Item 1) |
| T Rating — 1/2 Hr | FT Rating — 1 1/2 Hr |
| | FH Ratings — 1 and 2 Hr (See Item 1) |
| | FTH Rating — 1/2 Hr |



SECTION A-A

1. Wall Assembly — The 1 or 2 hr fire-rated gypsum wallboard/stud wall assembly shall be constructed of the materials and in the manner described in the individual U300, U400, V400 or W400 Series Wall or Partition Design in the UL Fire Resistance Directory and shall include the following construction features:

A. Studs — Wall framing may consist of either wood studs or steel channel studs. Wood studs to consist of nom 2 by 4 in. (51 by 102mm) lumber spaced 16 in. (406 mm) OC. Steel studs to be min 2-1/2 in. (64 mm) wide and spaced max 24 in. (610 mm) OC.

B. Gypsum Board* — 5/8 in. (16 mm) thick, 4 ft (1.2m) wide with square or tapered edges. The gypsum wallboard type, thickness, number of layers, fastener type and sheet orientation shall be as specified in the individual Design in the UL Fire Resistance Directory. Max diam of opening is 4-1/2 in. (114 mm).

The hourly F and FH Ratings of the firestop system are equal to the hourly fire rating of the wall assembly in which it is installed.

2. **Steel Sleeve** — Nom 4 in. (102 mm) diam (or smaller) Schedule 40 steel sleeve friction fitted into opening of wall. Length of sleeve to be equal to the thickness of wall plus 4 in. (102 mm) such that, when installed, the ends of the sleeve project 2 in. (51 mm) beyond each side of the wall.

3. **Cables** — Max 25 pair No. 24 AWG (or smaller) polyvinyl chloride (PVC) insulated and jacketed telephone cable. Aggregate cross-sectional area of cable to be max 25 percent of the cross-sectional area of opening. Cables to be rigidly supported on both sides of wall assembly.

4. **Firestop System** — The firestop system shall consist of the following:

A. **Packing Material** — Min 2 in. (51 mm) thickness of min 4 pcf (64 kg/m³) mineral wool batt insulation firmly packed into opening as a permanent form. Packing material to be forced into interstices of cable group to max extent possible. Packing material to be recessed from both surfaces of wall to accommodate the required thickness of fill material.

B. **Fill, Void or Cavity Material* — Sealant** — Min 1 in. (25 mm) thickness of fill material applied within the annulus, flush with ends of sleeve. Fill material to be forced into interstices of cable group to max extent possible. A min 1/2 in. (13 mm) thick bead shall be applied at the steel sleeve/gypsum wallboard interface on both surfaces of wall.

RECTORSEAL — FlameSafe FS 1900, Metacaulk 1000, Metacaulk 350i, Biostop 350i or Biostop 500+

* Indicates such products shall bear the UL or cUL Certification Mark for jurisdictions employing the UL or cUL Certification (such as Canada), respectively.