



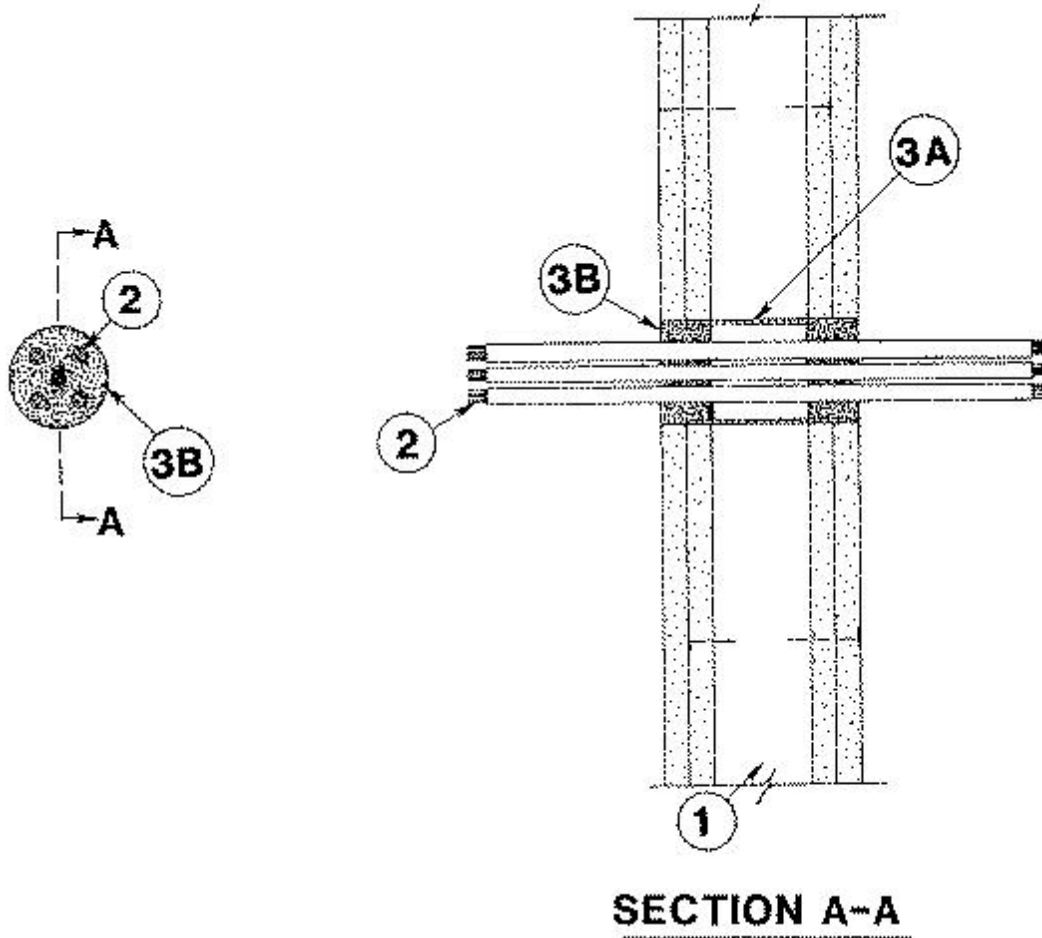
System No. W-L-3029

November 26, 1997

(Formerly System No. 550)

F Rating — 2 Hr.

T Rating — 1/4 Hr.



1. **Wall Assembly** — The fire-rated gypsum wallboard/stud wall assembly shall be constructed of the materials and in the manner specified in the individual U300 and U400 Series Wall and Partition Designs in the UL Fire Resistance Directory and shall include the following construction features:

A. **Studs** — Wall framing may consist of either wood studs or steel channel studs. Wood studs to consist of nom 2 by 4 in. lumber spaced 16 in. OC. Steel studs to be min 2-1/2 in. wide and spaced max 24 in. OC.

B. **Gypsum Board*** — Two layers of nom 5/8 in. thick gypsum wallboard, as specified in the individual Wall and Partition Design. Max diam of opening is 2 in.

2. **Cables** — Aggregate cross-sectional area of cables in opening to be max 35 percent of the aggregate cross-sectional area of the opening. Cables to consist of max 3/C with ground No. 10 AWG (or smaller) Type NM with polyvinyl chloride insulation and jacket. Min separation between cables shall be 1/8 in. Cables to be rigidly supported on both sides of wall assembly.

3. **Firestop System** — The firestop system shall consist of the following:

A. **Steel Wire Mesh** — Cylindrical sleeve fabricated from No. 8 steel wire mesh having a min 1 in. lap along the longitudinal seam. Length of steel wire mesh to be 4-3/4 in., centered and

formed to fit periphery of through opening.

B. Fill, Void or Cavity Material* — Caulk — Min 1-1/4 in. thickness of fill material applied within the annulus, flush with both surfaces of wall. Caulk to be forced into interstices of cable group to max extent possible.

RECTORSEAL — Metacaulk 835+

*Bearing the UL Classification Mark