



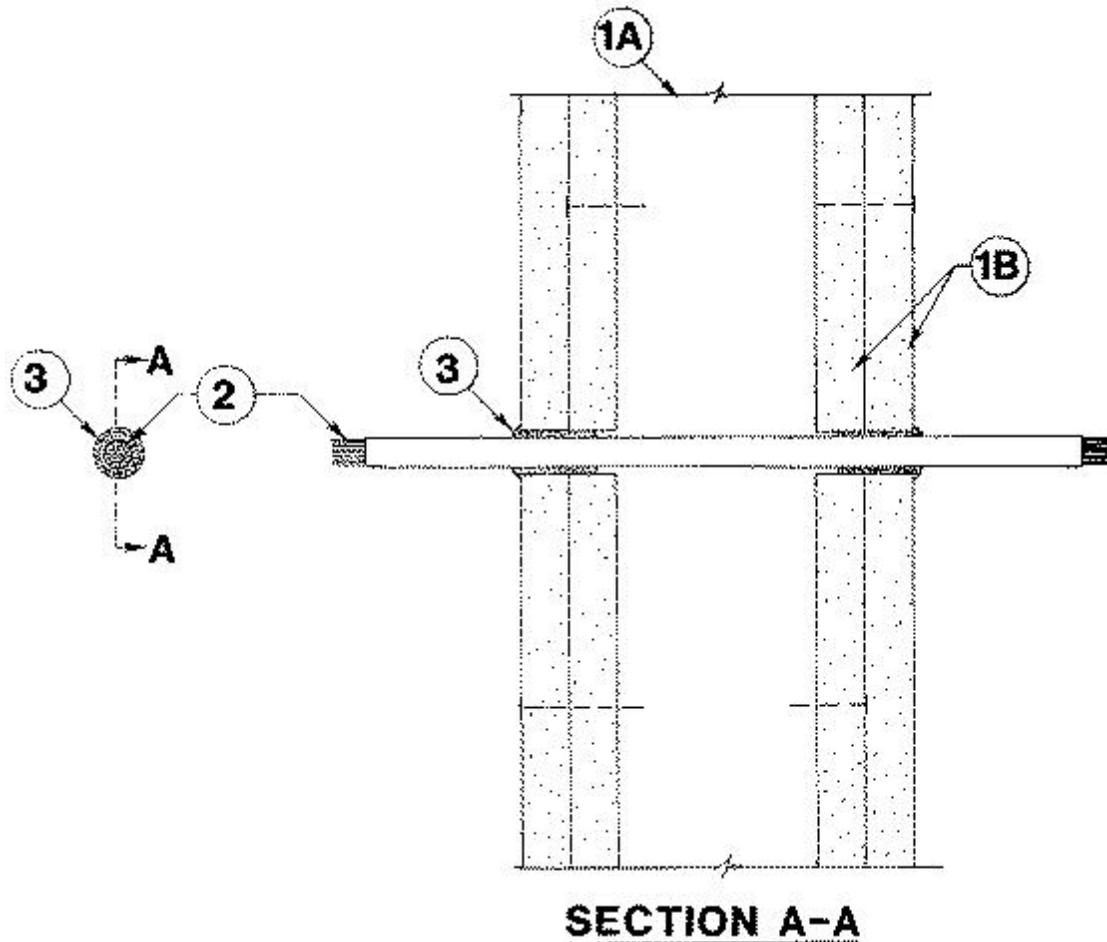
## System No. W-L-3013

November 29, 1995

(Formerly System No. 255)

F Rating — 2 Hr

T Rating — 1-1/2 Hr



1. **Wall Assembly** — The fire-rated gypsum wallboard/stud wall assembly shall be constructed of the materials and in the manner specified in the individual U300 or U400 Series Wall and Partition Designs in the UL Fire Resistance Directory and shall include the following construction features:

A. **Studs** — Wall framing may consist of either wood studs or steel channel studs. Wood studs to consist of nom 2 by 4 in. lumber spaced 16 in. OC. Steel studs to be min 2-1/2 in. wide and spaced max 24 in. OC.

B. **Gypsum Board\*** — Two layers of nom 5/8 in. thick gypsum wallboard, as specified in the individual Wall and Partition Design. Max diam of opening is 1/2 in.

2. **Cables** — Max 25 pair No. 24 AWG telephone cable; polyvinyl insulation and jacket materials. One cable to be centered within the firestop system. Cable to be rigidly supported on both sides of wall assembly.

3. **Fill, Void or Cavity Material\* — Caulk** — Caulk fill material forced into annular space to max extent possible. Additional fill material to be installed such that a min 1/4 in. crown is formed around the penetrating item.

\*Bearing the UL Classification Mark