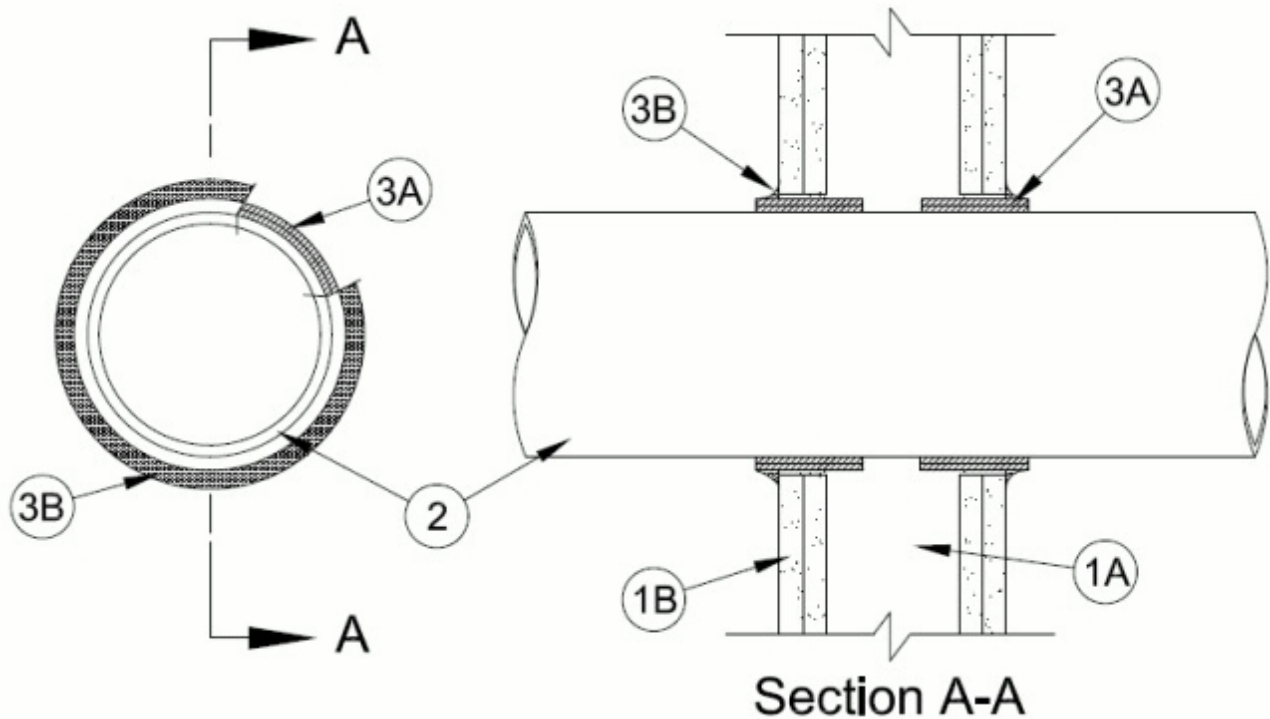


System No. W-L-2672

October 11, 2017

F Ratings — 1 and 2 Hr (See Item 1)

T Ratings — 0, 1-3/4 and 2 Hr (See Item 2)



1. Wall Assembly — The 1 or 2 hr fire rated gypsum board/stud wall assembly shall be constructed of the materials and in the manner described in the individual U300, U400, V400 or W400 Series Wall and Partition Design in the UL Fire Resistance Directory and shall include the following construction features:

A. Studs — Wall framing may consist of either wood studs or steel channel studs. Wood studs to consist of nom 2 by 4 in. (51 by 102 mm) lumber spaced max 16 in. (406 mm) OC. Steel studs to be min 3-5/8 in. (92 mm) wide spaced max 24 in. (610 mm) OC.

B. Gypsum Board* — The gypsum board type, thickness, number of layers, fastener type and sheet orientation shall be as specified in the individual Design in the UL Fire Resistance Directory. Max diam of opening is 5 in. (127 mm).

The hourly F Rating of the firestop system is equal to the hourly fire rating of the wall assembly in which it is installed.

2. Through Penetrant — One nonmetallic pipe centered in the firestop system. The annular space between the penetrant and the periphery of opening shall be nom 1/4 in. (6 mm). Penetrant to be rigidly supported on both sides of wall assembly. The following types and sizes of nonmetallic pipe may be used:

A. Polyvinyl Chloride (PVC) Pipe — Nom 4 in. (102 mm) diam (or smaller) Schedule 40 cellular or solid core PVC pipe for use in closed (process or supply) or vented (drain, waste or vent) piping system.

B. Rigid Nonmetallic Conduit+ — Nom 4 in. (102 mm) diam (or smaller) Schedule 40 PVC conduit installed in accordance with the National Electrical Code (NFPA 70).

C. Chlorinated Polyvinyl Chloride (CPVC) Pipe — Nom 4 in. (102 mm) diam (or smaller) SDR 13.5 CPVC pipe for use in closed (process or supply) piping systems.

D. Acrylonitrile Butadiene Styrene (ABS) Pipe — Nom 4 in. (102 mm) diam (or smaller) Schedule 40 cellular or solid core ABS pipe for use in closed (process or supply) or vented (drain, waste or vent) piping systems.

The hourly T Rating is 0 hr for 1 hr rated assemblies. The hourly T Rating is 1-3/4 hr when Item 2D is used in 2 hr rated assemblies. The hourly T Rating is 2 hr when Items 2A, 2B and 2C are used in 2 hr rated assemblies.

3. Firestop System — The firestop system shall consist of the following:

A. Fill, Void or Cavity Materials* — Two layers of nom 2 mm thick by 3 in. (76 mm) wide intumescent joint strip tightly wrapped around the outer circumference of the pipe with ends butted and held in place with tape. Joint strip slid into the annular space on both sides of wall with the outer edges of the joint strip extending 1/2 in. (13 mm) from both surfaces of wall.

RECTORSEAL — Metacaulk Joint Strip, FlameSafe Joint Strip, Biostop Joint Strip

B. Fill, Void or Cavity Material* — Caulk — Min 1/2 in. (13 mm) thickness of fill material applied at the joint strip/wall interface on both sides of the wall assembly.

RECTORSEAL — Metacaulk 1000, Metacaulk 350i, Biostop 500+, Biostop 350i or FlameSafe1900.

*** Indicates such products shall bear the UL or cUL Certification Mark for jurisdictions employing the UL or cUL Certification (such as Canada), respectively.**