

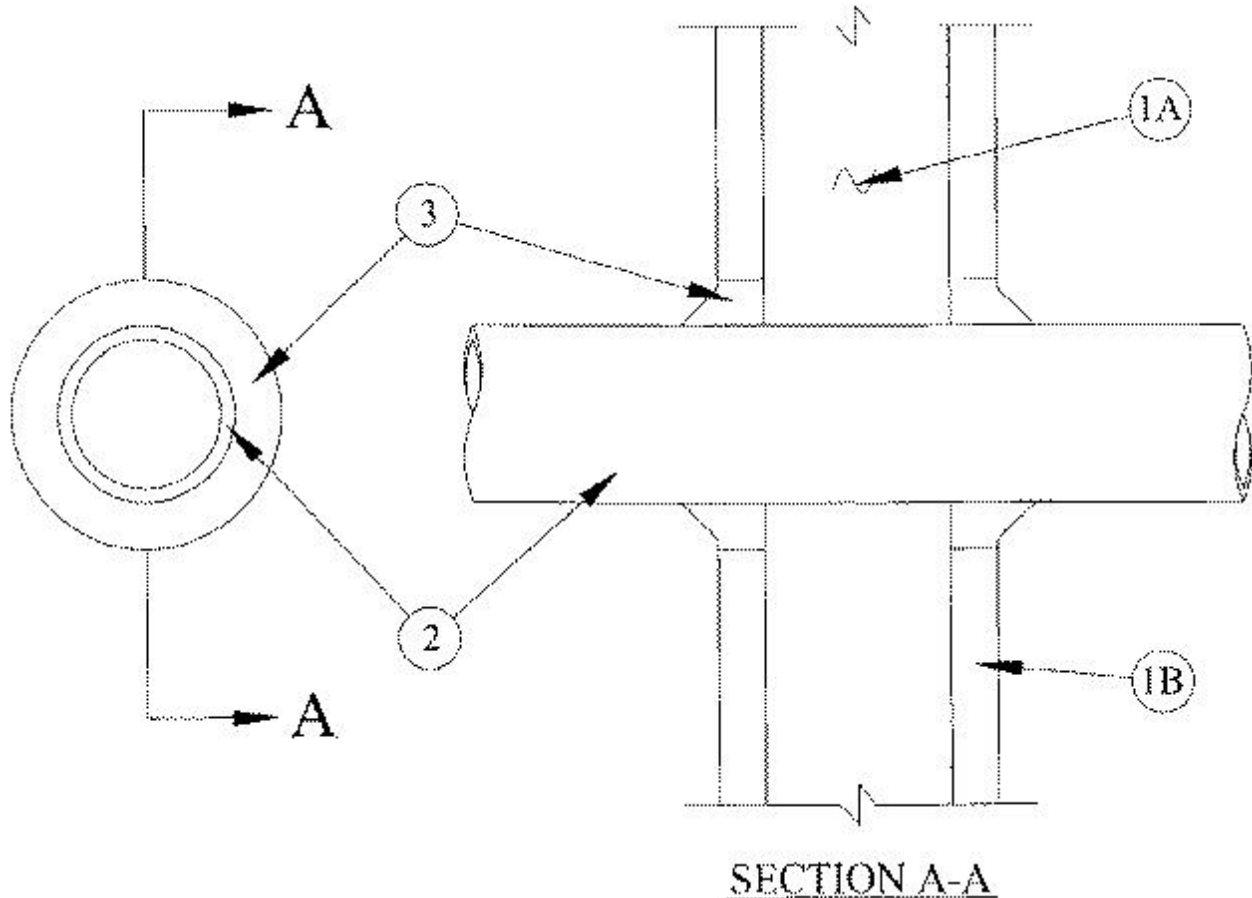


## System No. W-L-2209

February 22, 2000

F Rating — 1 Hr

T Rating — 0 Hr



**1. Wall Assembly** — The 1 hr fire-rated gypsum wallboard/stud wall assembly shall be constructed of the materials and in the manner specified in the individual U300 or U400 Series Wall and Partition Designs in the UL Fire Resistance Directory and shall include the following construction features:

**A. Studs** — Wall framing shall consist of either wood or steel channel studs. Wood studs to consist of nom 2 by 4 in. lumber spaced 16 in. OC. Steel studs to be min 2-1/2 in. wide and spaced max 24 in. OC.

**B. Gypsum Board\*** — Min 5/8 in. thick, 4 ft wide with square or tapered edges. The gypsum wallboard type, thickness, number of layers and orientation shall be as specified in the individual U300 or U400 Wall and Partition Design. Max diam of opening is 3-5/8 in.

**2. Through Penetrants** — One nonmetallic pipe or tube to be centered within the firestop system. A nom annular space of 5/8 in. is required within the firestop system. Pipe or tube to be rigidly supported on both sides of wall assembly. The following types and sizes of nonmetallic pipes or tubes may be used:

**A. Polyvinyl Chloride (PVC) Pipe** — Nom 2 in. diam (or smaller) Schedule 40 solid core PVC pipe for use in closed (process or supply) or vented (drain, waste or vent) piping systems.

**B. Chlorinated Polyvinyl Chloride (CPVC) Pipe** — Nom 2 in. diam (or smaller) SDR17 CPVC pipe for use in closed (process or supply) piping systems.

**C. Crosslinked Polyethylene (PEX) Tubing** — Nom 1 in. diam (or smaller) SDR 9 PEX tube

for use in closed (process or supply) piping systems.

**3. Fill, Void or Cavity Material\* — Caulk —** Min 5/8 in. thickness of fill material applied within the annulus. Additional fill material to be installed such that a min 1/2 in. crown is formed around the penetrating item.

**RECTORSEAL —** Metacaulk 1000

\*Bearing the UL Classification Mark