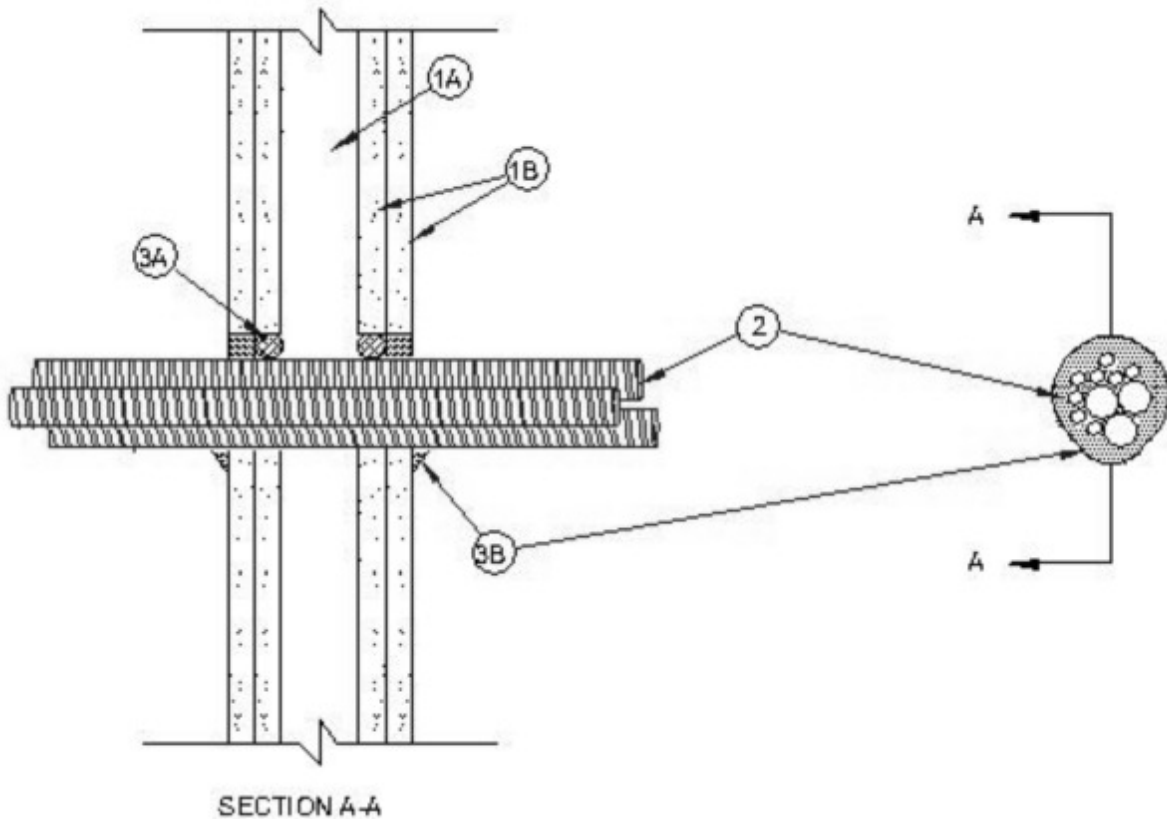




### System No. W-L-1427

July 16, 2014

ANSI/UL1479 (ASTM E814)	CAN/ULC S115
F Rating — 1 and 2 Hr (See Item 1)	F Rating — 1 and 2 Hr (See Item 1)
T Rating — 3/4 and 1-1/2 Hr (See Item 1)	FT Rating — 3/4 and 1-1/2 Hr (See Item 1)
L Rating At Ambient — Less Than 1 CFM/sq ft	FH Rating — 1 and 2 Hr (See Item 1)
L Rating At 400 F — Less Than 1 CFM/sq ft	FTH Rating — 3/4 and 1-1/2 Hr (See Item 1)



**1. Wall Assembly** — The 1 or 2 hr fire rated gypsum board/stud wall assembly shall be constructed of the materials and in the manner described in the individual U300, U400, V400 or W400 Series Wall and Partition Design in the UL Fire Resistance Directory and shall include the following construction features:

**A. Studs** — Wall framing may consist of either wood or steel channel studs. Wood studs to consist of nom 2 by 4 in. (51 by 102 mm) lumber spaced 16 in. (406 mm) OC. Steel studs to be min 3-1/2 in. (89 mm) wide spaced max 24 in. (610 mm) OC.

**B. Gypsum Board\*** — The gypsum board type, thickness, number of layers, fastener type and sheet orientation shall be as specified in the individual Wall and Partition Design in the UL Fire Resistance Directory. Max diam of opening is 6 in. (152 mm).

**The hourly F and T Rating of the firestop system are dependent on the hourly fire rating of the wall assembly in which it is installed as shown in the table below:**

Rating of Wall, Hr	F Rating, Hr	T Rating, Hr
2	2	1-1/2

1	1	3/4
---	---	-----

**2. Through Penetrating Product\*-Flexible Metal Piping** — One or more nom 1-1/4 in. (32 mm) diam (or smaller) flexible metal pipes installed concentrically or eccentrically within opening. Annular space between penetrants and periphery of opening to be min 0 in. (0 mm) to max 2 in. (51 mm). Space between penetrants shall be min 0 in. (0 mm) to max 2 in. (51 mm). Penetrants to be rigidly supported on both sides of wall.

**OMEGA FLEX INC**

**GASTITE, DIV OF TITFLEX** — CSST or FlashShield CSST

**WARD MFG L L C**

**3A. Packing Material** — In 2 Hr rated walls assemblies, foam backer rod firmly packed into opening as permanent form. Packing material to be recessed from both wall surfaces as required in accommodate the required thickness of fill material.

**3B. Fill, Void or Cavity Materials\* — Caulk or Sealant** — Min 5/8 in. (16 mm) thickness of caulk applied within annulus, flush with both surfaces of wall. Min 1/2 in. (6 mm) diam bead of caulk applied to gypsum board/penetrant interface at point contact location on both sides of wall.

**RECTORSEAL** — FlameSafe® FS900+, FS1900, Metacaulk MC 150+, Metacaulk 1000, Metacaulk 350i, Biostop BF 150+, Biostop 350i or Biostop 500+

\* Indicates such products shall bear the UL or cUL Certification Mark for jurisdictions employing the UL or cUL Certification (such as Canada), respectively.