

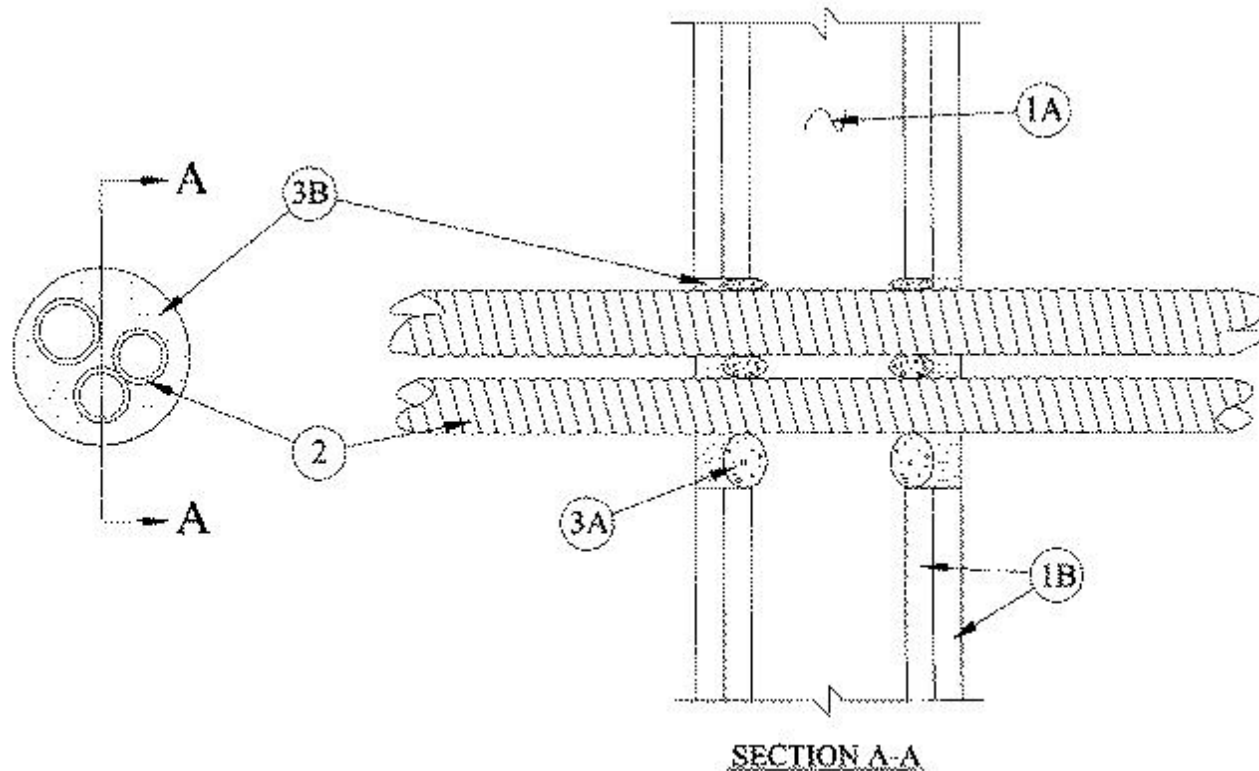


System No. W-L-1181

May 13, 2004

F Ratings — 1 and 2 Hr (See Item 1)

T Ratings — 1 and 2 Hr (See Item 1)



1. Wall Assembly — The 1 or 2 hr fire-rated gypsum wallboard/stud wall assembly shall be constructed of the materials and in the manner specified in the individual U300 or U400 Series Wall and Partition Designs in the UL Fire Resistance Directory and shall include the following construction features:

A. Studs — Wall framing shall consist of either wood or steel channel studs. Wood studs to consist of nom 2 by 4 in. lumber spaced 16 in. OC. Steel studs to be min 3-1/2 in. wide and spaced max 24 in. OC.

B. Gypsum Board* — Min 5/8 in. thick, 4 ft wide with square or tapered edges. The gypsum wallboard type, thickness, number of layers and orientation shall be as specified in the individual U300 or U400 Wall and Partition Design. Max diam of opening is 4 in.

The hourly F and T Ratings of the firestop system are equal to the hourly fire rating of the wall assembly in which it is installed.

1A. Metallic Sleeve — (Optional) — Cylindrical sleeve fabricated from min No. 26 gauge galv sheet steel and having a min 1 in. overlap along the longitudinal seam. Ends of sleeve to be flush with or extend a max 1 in. beyond each surface of wall.

2. Through Penetrating Product* — Flexible Metal Piping — A max of three nom 1-1/4 in. diam (or smaller) steel flexible metal piping to be installed within the firestop system. The annular space between pipes shall be min 3/8 in. to max 1/2 in. The annular space between pipes and periphery of opening shall be min 1/4 in. to max 1-1/2 in. Pipes to be rigidly supported on both sides of wall assembly.

OMEGA FLEX INC

GASTITE, DIV OF TITFLEX

3. Firestop System — The firestop system shall consist of the following:

A. Packing Material — In 2 hr rated wall assemblies, foam backer rod firmly packed into opening as a permanent form. Packing material to be recessed from both surfaces of wall as required to accommodate the required thickness of fill material.

B. Fill, Void or Cavity Material* — Caulk — Min 1/2 in. thickness of fill material applied within the annulus, flush with both surfaces of wall.

RECTORSEAL — Metacaulk 1000

*Bearing the UL Classification Mark