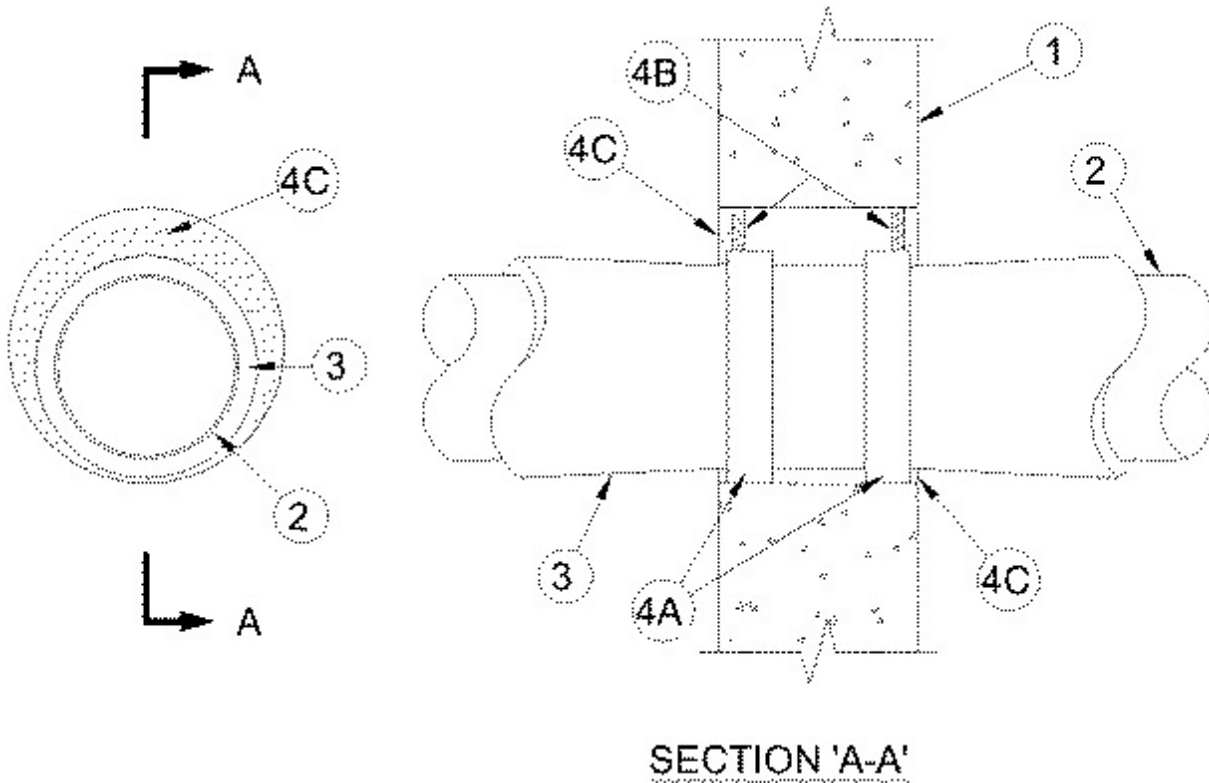




System No. W-J-7075

July 16, 2014

ANSI/UL1479 (ASTM E814)	CAN/ULC S115
F Ratings - 1 and 2 Hr (See Item 1)	F Ratings - 1 and 2 Hr (See Item 1)
T Ratings - 1/2 and 1 Hr (See Item 1)	FT Ratings - 1/2 and 1 Hr (See Item 1)
	FH Ratings - 1 and 2 Hr (See Item 1)
	FTH Ratings - 1/2 and 1 Hr (See Item 1)



1. **Wall Assembly** — Min 4-7/8 in. and 6-1/8 in. thick lightweight or normal weight (100-150 pcf) concrete for 1 and 2 hr rated assemblies, respectively. Wall may also be constructed of any UL Classified **Concrete Blocks***. Max diam of opening is 23 in.

See **Concrete Blocks** (CAZT) in Volume 1 of the Fire Resistance Directory for names of manufacturers.

The hourly T Rating is 1/2 hr and 1 hr for 1 and 2 hr rated assemblies, respectively.

2. **Steel Air Duct** — Nom 20 in. diam(or smaller) , 28 gauge (or heavier) galv steel air duct to be installed either concentrically or eccentrically within the opening. Duct to be rigidly supported on both sides of wall assembly.

3. **Duct Insulation*** — Nom 1-1/2 in thick glass fiber blanket insulation jacketed on the outside with foil-scrim-kraft facing. Longitudinal and transverse joints sealed with foil-scrim kraft tape. The annular space between the wrap strip (item 4A) and the periphery of the opening shall be min 0 in. (point of contact) to max 1-1/8 in.

See **Batts and Blankets** (BKNV) category in the Building Materials Directory for names of manufacturers. Any batts and blankets material meeting the above specifications and bearing the UL Classification Marking with a Flame Spread Index of 25 or less and a Smoke Developed Index of 50 or less may be used.

4. **Firestop System** — The firestop system shall consist of the following:

A. **Wrap Strip** — One layer of nom 1/4 in. thick intumescent material supplied in 1-1/2 in. wide strips tightly wrapped around duct insulation, with a max insulation compression ratio of 50%, and held in place with masking tape. Wrap strip slid into annulus on both sides of wall such that wrap strip is recessed 5/8 in. from both surfaces of wall.

RECTORSEAL — FlameSafe Wrap Strip

B. **Packing Material** — (Optional) — Mineral wool or fiberglass insulation or foam backer rod compressed and firmly packed into annular space from each end of opening and recessed 5/8 in. from each wall surface.

C. **Fill, Void or Cavity Material* - Sealant** — Min 5/8 in. thickness of fill material applied within annulus, flush with both surfaces of wall assembly.

RECTORSEAL — FS 900+ Sealant, Metacaulk MC 150+, Biostop BF 150+

* Indicates such products shall bear the UL or cUL Certification Mark for jurisdictions employing the UL or cUL Certification (such as Canada), respectively.