

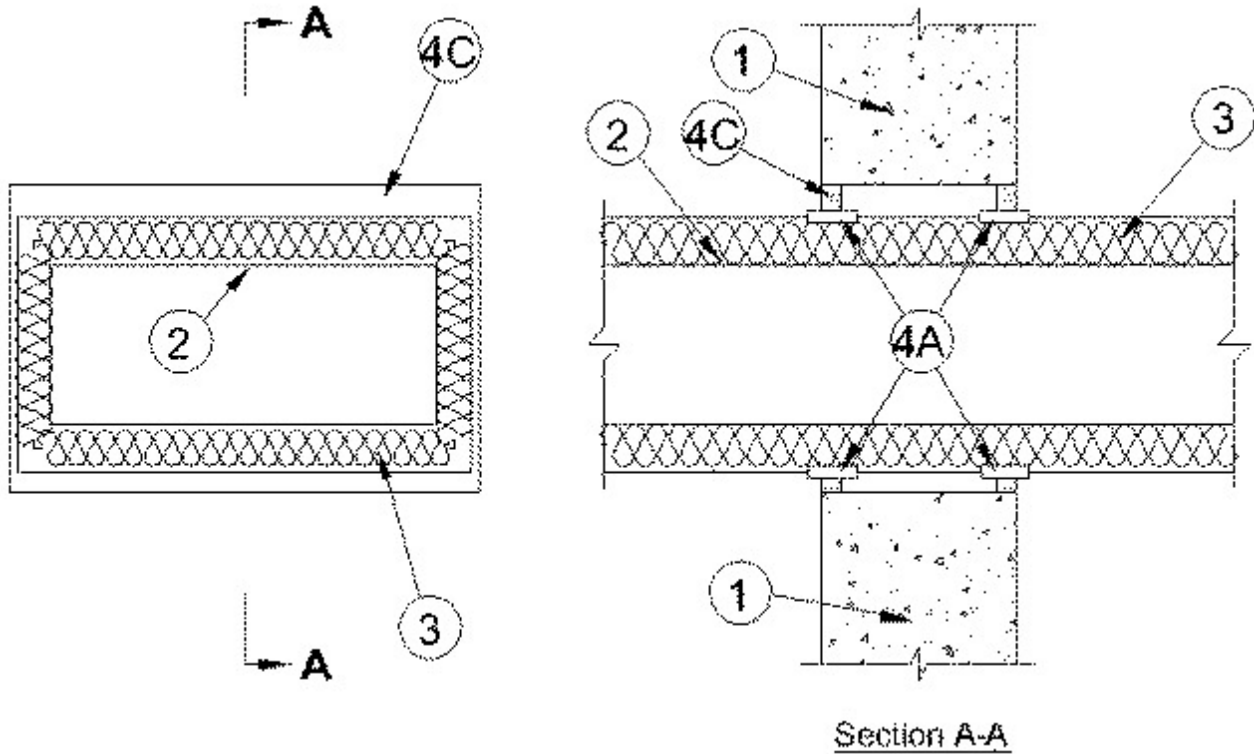


System No. W-J-7071

June 29, 2005

F Rating — 2 Hr

T Rating — 3/4 Hr



1. **Wall Assembly** — Min 6-1/8 in. (156 mm) thick reinforced lightweight or normal weight (100-150 pcf or 1600 - 2400 kg/m³) concrete wall. Wall may also be constructed of any UL Classified **Concrete Blocks***. Max area of opening is 900 sq in. with max dimensions of 30 in.

See **Concrete Blocks** (CAZT) category in the Fire Resistance Directory for names of manufacturers.

2. **Steel Duct** — One nom 26 by 26 in. (or smaller) No. 24 gauge (or heavier) steel air duct installed within the firestop system. Duct to be rigidly supported on both sides of wall assembly.

3. **Duct Insulation*** — Nom 1-1/2 in (38 mm) thick glass fiber blanket insulation jacketed on the outside with an aluminum foil reinforced glass-fiber-scrim-kraft facing. Longitudinal and transverse joints sealed with a pressure sensitive foil tape. The annular space within the firestop system shall be min 1/4 in. (6 mm) to max 1-1/4 in. (32 mm).

See **Batts and Blankets** (BKNV) category in the Building Materials Directory for names of manufacturers. Any batts and blankets material meeting the above specifications and bearing the UL Classification Marking with a Flame Spread Index of 25 or less and a Smoke Developed Index of 50 or less may be used.

4. **Firestop System** — The firestop system shall consist of the following:

A. **Fill, Void or Cavity Materials*** — Nom 1/16 in. thick intumescent material supplied in 1-1/2 in. (38 mm) wide strips. Min 1 layer of wrap strip wrapped tightly around the duct insulation, protruding 1/2 in (13 mm) beyond each surface of the wall. Wrap strip held in position with tape.

RECTORSEAL — Metacaulk Joint Strip

B. Packing Material - (Optional) — Foam backer rod firmly packed into the opening as a permanent form. Packing material to recessed from both sides of wall to accommodate the required thickness of fill material.

C. Fill, Void or Cavity Material* - Caulk — Min 5/8 in. (16 mm) thickness of caulk applied within annulus, flush with both surfaces of the wall assembly.

RECTORSEAL — Metacaulk 1000

*Bearing the UL Classification Mark