



System No. W-J-7044

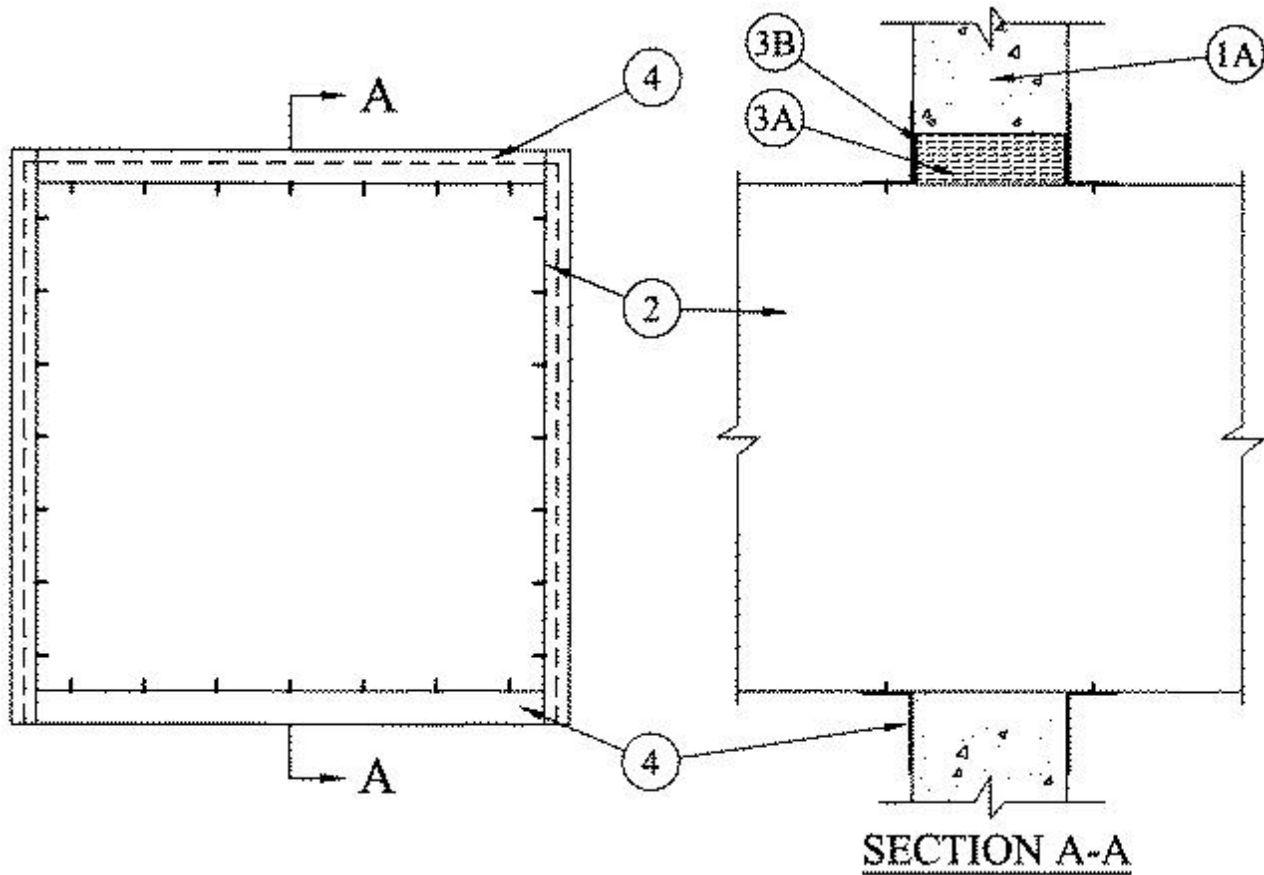
May 28, 2014

F Rating — 2 Hr

T Rating — 0 Hr

L Rating At Ambient — Less Than 1 CFM/sq ft (See Item 2)

L Rating At 400 F — Less Than 1 CFM/sq ft (See Item 2)



1. **Wall Assembly** — Min 6 in. (152 mm) thick reinforced lightweight or normal weight (100-150 pcf or 1600-2400 kg/m³) concrete. Wall may also be constructed of any UL Classified **Concrete Blocks***. Max area of opening is 506 sq in. (0.33 m²) with a max dimension of 23 in. (584 mm).

See **Concrete Blocks** (CAZT) category in the Fire Resistance Directory for names of manufacturers.

2. **Steel Duct** — Max 20 by 20 in. (508 by 508 mm) No. 24 gauge (or heavier) steel duct to be installed either concentrically or eccentrically within the opening. The annular space shall be min 0 in. (0 mm, point contact) to max 2 in. (51 mm). L Ratings apply only when the min annular space between the through penetrant and the edge of the opening is equal to or greater than 1/4 in. (6 mm). Duct to be rigidly supported on both sides of wall assembly.

3. **Firestop System** — The firestop system shall consist of the following:

A. **Packing Material** — Min 6 in. (152 mm) thickness of min 4 pcf (64 kg/m³) mineral wool batt insulation firmly packed into opening as a permanent form. Packing material to installed flush with both surfaces of wall.

B. **Fill, Void or Cavity Material*** — **Coating** — Min 1/8 in. (3.2 mm) wet thickness of fill material applied to completely cover the mineral wool packing material and to lap min 1/2 in. (13 mm) onto the wall surfaces and onto the steel duct around the entire periphery of the through

opening on both sides of the wall.

RECTORSEAL — FlameSafe FS3000, Metacaulk 1200, 1500 or Biostop 750, 800 Spray

C. Steel Retaining Angles — Min No. 22 gauge galv steel angles sized to lap steel duct a min of 2 in. (51 mm) and to lap wall surfaces a min of 1-1/2 in. (38 mm) around entire perimeter of through opening on both sides of wall assembly. Angles attached to steel duct on both sides of wall with min No. 10 steel sheet metal screws spaced a max of 1 in. (25 mm) from each end of steel duct and spaced a max of 6 in. (152 mm) OC.

*** Indicates such products shall bear the UL or cUL Certification Mark for jurisdictions employing the UL or cUL Certification (such as Canada), respectively.**