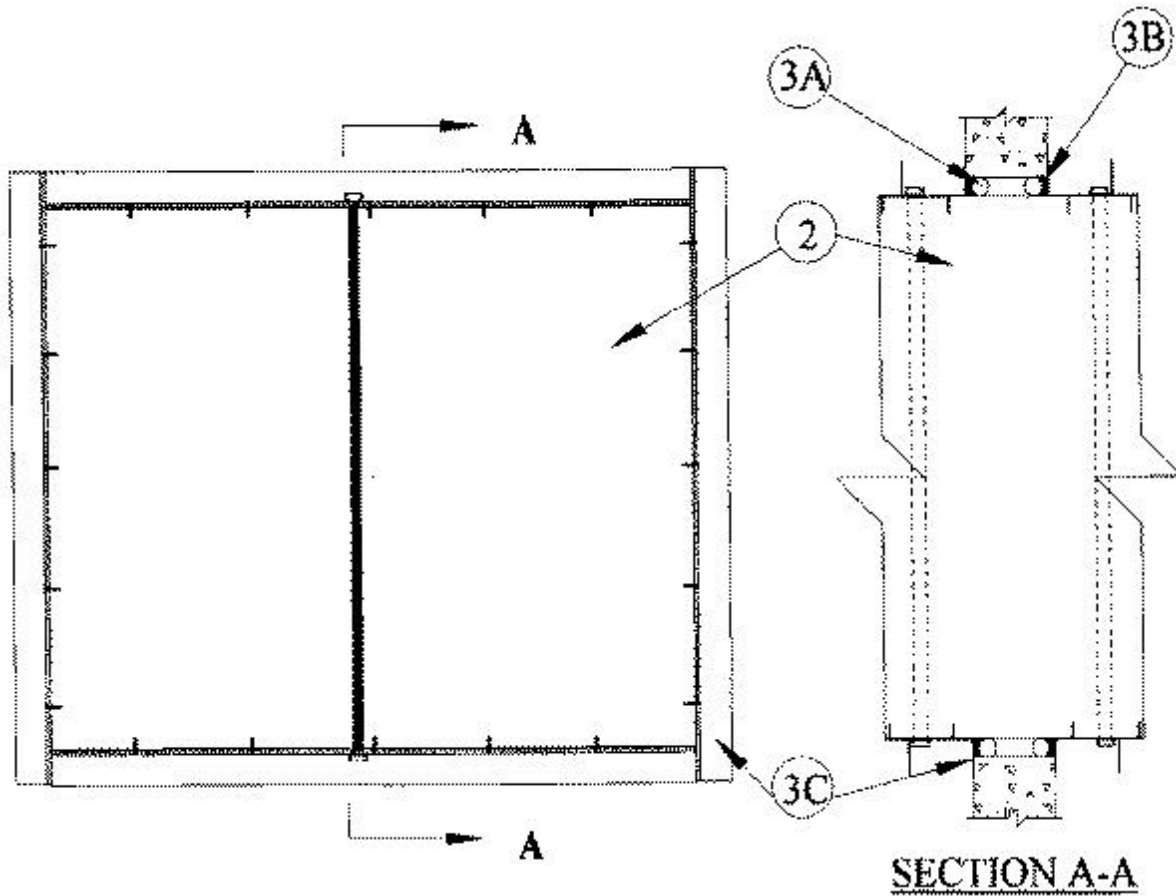




System No. W-J-7008

February 05, 2014

ANSI/UL1479 (ASTM E814)	CAN/ULC S115
F Rating — 2 Hr	F Rating — 2 Hr
T Rating — 0 Hr	FT Rating — 0 Hr
	FH Rating — 2 Hr
	FTH Rating — 0 Hr



1. **Wall Assembly** — Min 6 in. (152 mm) thick reinforced lightweight or normal weight (100-150 pcf or 1600-2400 kg/m³) concrete. Wall may also be constructed of any UL Classified **Concrete Blocks***. Max area of opening is 989 sq in. (6381 cm²) with max dimensions of 43 in. (1092 mm).

See **Concrete Blocks** (CAZT) category in the Fire Resistance Directory for names of manufacturers.

2. **Steel Ducts** — Nom 40 in. (1016 mm) by 20 in. (508 mm) (or smaller) No. 24 gauge (or heavier) galv steel duct to be installed either concentrically or eccentrically within the firestop system. The space between the steel duct and periphery of opening shall be min 3/4 in. (19 mm) to max 2-1/4 in. (57 mm). Steel duct to be rigidly supported on both sides of the wall assembly. During the installation of the steel duct, internal support members consisting of nom 1/2 in. (13 mm) diam threaded steel shall be installed within the center of the steel duct on both sides of wall assembly. Threaded steel rod shall extend a max 3 in. (76 mm) beyond top and bottom of steel duct and secured to top and bottom surfaces of steel duct by means of 1/2 in. (13 mm) diam steel nuts and 3/4 in. (19 mm) by 3 in. (76 mm) diam steel fender washers. Threaded steel rod to be installed a max of 6 in. (152 mm) from each side of wall. In addition to the threaded steel rod, external supports consisting of min 1-1/2 by 1-1/2 in. by 3/16 in. (38 by 38 by 4.8 mm) thick steel angles to be installed around the outer perimeter of the steel duct and secured to the steel duct by means of No. 10 by 3/4 in. (19 mm) long steel sheet metal screws spaced a max 8 in. (203 mm) OC. Steel angles to be installed on both sides of wall and spaced a max 12 in. (305

mm) from each surface of wall.

3. **Firestop System** — The firestop system shall consist of the following:

A. **Packing Material** — Polyethylene backer rod, mineral wool batt insulation or fiberglass batt insulation friction fitted into annular space of opening. Packing material to be recessed from both surfaces of wall as required to accommodate the required thickness of fill material.

B. **Fill, Void or Cavity Material* — Sealant** — Min 5/8 in. (16 mm) thickness of fill material applied within the annulus, flush with both surfaces of wall.

RECTORSEAL — FlameSafe FS 1900, FS1901, FS1905, FS1929, Metacaulk 1000, Metacaulk 350i, Biostop 350i or Biostop 500+

C. **Steel Retaining Angles** — Min No. 16 gauge galv steel angles sized to lap steel duct a min of 2 in. (51 mm) and lap wall surfaces a min 1 in. (25 mm). Angles attached to steel duct on both sides of wall with min No. 10 by 1/2 in. (13 mm) long steel sheet metal screws spaced a max of 1 in. (25 mm) from each end of steel duct and spaced a max 6 in. (152 mm) OC.

* Indicates such products shall bear the UL or cUL Certification Mark for jurisdictions employing the UL or cUL Certification (such as Canada), respectively.