

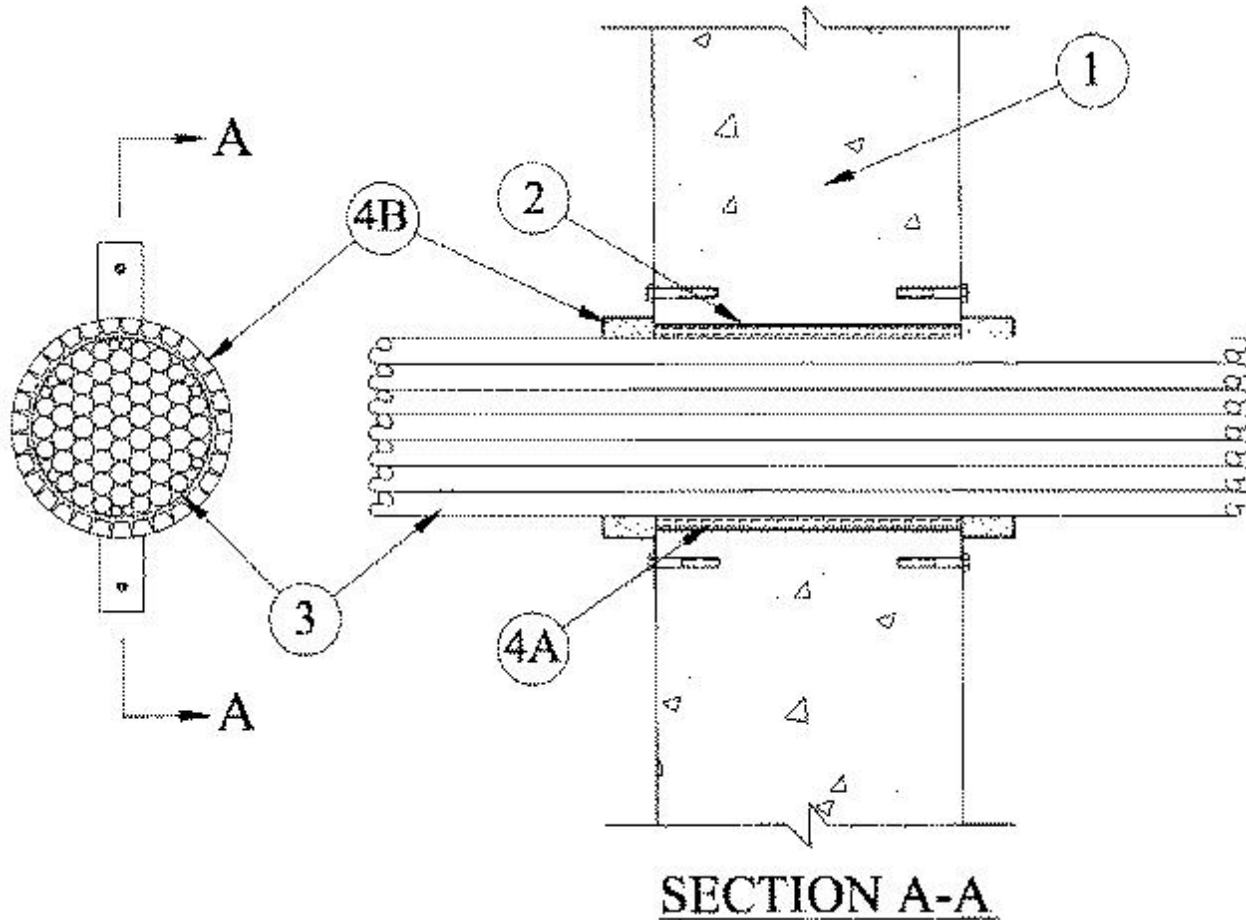


System No. W-J-3054

June 07, 2004

F Rating — 2 Hr

T Rating — 0 Hr



1. **Wall Assembly** — Min 6 in. thick reinforced lightweight or normal weight (100-150 pcf) concrete. Wall may also be constructed of any UL Classified **Concrete Blocks***. Diam of opening shall be 1 in. larger than the nom diam of the firestop device (Item 4B). Max diam of opening is 4 in.

See **Concrete Blocks** (CAZT) category in the Fire Resistance Directory for names of manufacturers.

2. **Steel Wire Mesh** — (Optional) — Cylindrical sleeve fabricated from No. 8 steel wire mesh and having a min 2 in. lap along the longitudinal seam. Length of steel mesh to be 1/2 in. less than thickness of wall. Steel wire mesh to be centered and formed to fit periphery of through opening.

3. **Cables** — Aggregate cross-sectional area of cables to be min 10 to max 40 percent of the cross-sectional area within the firestop device (Item 4B). Cables to be bundled with bundle centered in opening. Cables to be rigidly supported on both sides of wall assembly. Any combination of the following types and sizes of copper conductor cables may be used:

A. Max 25 pr No. 24 AWG telephone cables with polyvinyl chloride (PVC) insulation and jacket.

B. Max 4 pr No. 24 AWG telephone cables with PVC insulation and jacket.

C. Max 2/C with ground No. 12 AWG Type NM nonmetallic sheathed (Romex) cable with PVC insulation and jacket.

3A. **Through Penetrating Product*** — (Not Shown) As an alternate Item 3, through-penetrating product to be installed within the opening. Aggregate cross-sectional area of through penetrating product to be min 10 to max 40 percent of the cross-sectional area within the firestop device (Item 4B). Through-penetrating product to be bundled and centered in opening. Through penetrating product rigidly supported on both sides of wall assembly. Any combination of the following types and sizes of through-penetrating products may be used:

A. Max two twisted copper conductors No. 10 AWG (or smaller) **Power Limited Fire Alarm Cable+** with or without a jacket under a metal armor.

AFC CABLE SYSTEMS INC

B. Max two twisted copper conductors No. 12 AWG (or smaller) **Non Power Limited Fire Alarm Cable+** with or without a jacket under a metal armor.

AFC CABLE SYSTEMS INC

C. Max two conductors with ground No. 12 AWG **Metal-Clad Cable+**.

AFC CABLE SYSTEMS INC

4. **Firestop System** — The firestop system shall consist of the following:

A. **Packing Material** — (Optional) — Min 6 in. thickness of min 4 pcf mineral wool batt insulation firmly packed into opening flush with surfaces of wall as a permanent form.

B. **Firestop Device*** — Nom 3 in. diam (or smaller) galv steel collar lined with an intumescent material sized to fit the cable bundle. Device to be installed around cable bundle in accordance with accompanying installation instructions. Device incorporates anchor tabs for securement to both sides of wall by means of min 1/4 in. diam by 1-1/4 in. long steel expansion bolts or steel Tapcon® concrete anchors in conjunction with min 1/4 in. by 9/16 in. diam washers. Device to be secured at each tab.

RECTORSEAL — Metacaulk Pipe Collar

C. **Packing Material** — (Not Shown) — As an alternate to the steel wire mesh (Item 2) and the packing material (Item 4A), a min 1 in. depth of min 4 pcf mineral wool may be firmly packed within the firestop device around the outside of the cable bundle.

*Bearing the UL Classification Mark