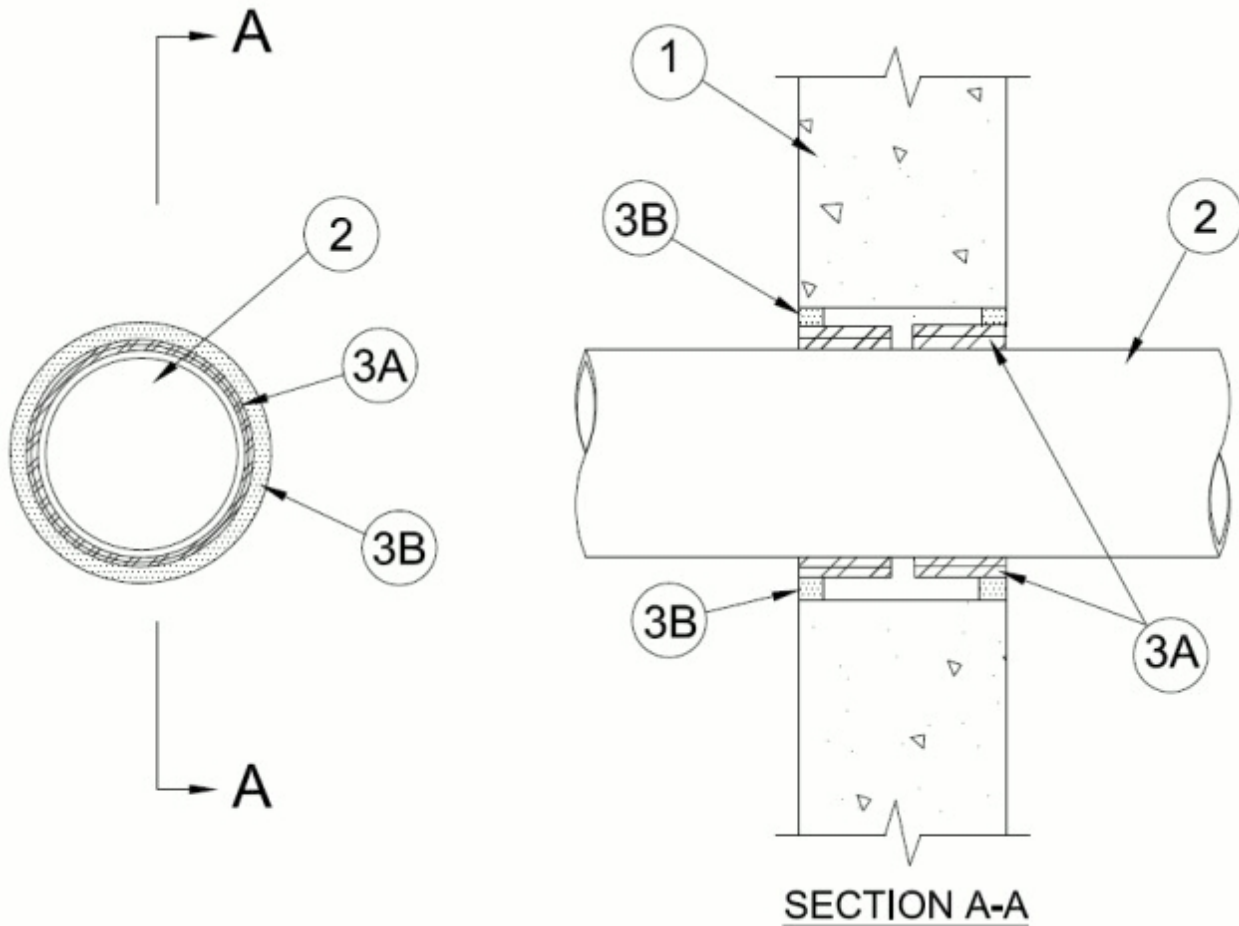


### System No. W-J-2266

October 11, 2017

ANSI/UL1479 (ASTM E814)	CAN/ULC S115
F Rating — 2 Hr	F Rating — 2 Hr
T Rating — 2 Hr	FT Rating — 2 Hr
	FH Rating — 2 Hr
	FTH Rating — 2 Hr



System tested with a pressure differential of 2.5 Pa between the exposed and the unexposed surfaces with the higher pressure on the exposed side.

1. **Wall Assembly** — Min 6 in. (114 mm) thick reinforced lightweight or normal weight (100 - 150 pcf or 1600-2400 kg/m<sup>3</sup>) concrete wall. Wall may also be constructed of any UL Classified **Concrete Blocks**\*. Max diam of opening is 5 in. (127 mm).

See **Concrete Blocks** (CAZT) in the Fire Resistance Directory for names of manufacturers.

2. **Through Penetrant** — One nonmetallic pipe to be installed concentrically within the firestop system. Annular space between penetrant and opening shall be nom 1/4 in. (6 mm). Pipe to be rigidly supported on both sides of wall assembly. The following types and sizes of nonmetallic pipes may be used:

A. **Polyvinyl Chloride (PVC) Pipe** — Nom 4 in. (102 mm) diam (or smaller) Schedule 40 solid core PVC pipe for use in closed (process or supply) or vented (drain, waste or vent) piping system.

**B. Chlorinated Polyvinyl Chloride (CPVC) Pipe** — Nom 4 in. (102 mm) diam (or smaller) SDR 17 CPVC pipe for use in closed (process or supply) or vented (drain, waste or vent) piping systems.

**C. Rigid Nonmetallic Conduit+** — Nom 4 in. (102 mm) diam (or smaller) Schedule 40 PVC conduit installed in accordance with the National Electrical Code (NFPA 70).

**D. Crosslinked Polyethylene (PEX) Tubing** — Nom 1 in. (25 mm) diam (or smaller) SDR 9 PEX tubing for use in closed (process or supply) or vented (drain, waste or vent) piping systems.

**3. Firestop System** — The firestop system shall consist of the following:

**A. Fill, Void or Cavity Materials\*** — Nom 2 mm thick by 3 in. (76 mm) wide intumescent joint strip tightly wrapped around the outer circumference of the pipe with ends butted and held in place with tape. Joint strip applied at both sides of wall and slid into the annular space with the edge of the joint strip flush with surface of wall. Two layers are to be used for nom 4 in. (102 mm) diam (and smaller) pipes.

**RECTORSEAL** — Metacaulk, Biostop and Flame Safe Joint Strip

**B. Fill, Void or Cavity Material\* — Caulk** — Min 1/4 in. (6 mm) thickness of fill material applied within any annular space remaining between the joint strip and the periphery of opening, flush with both surfaces of wall.

**RECTORSEAL** — Metacaulk 150+, Metacaulk 1000, Biostop 500+, Biostop BF 150+, Flame Safe 900+, Flame Safe 1900

\* Indicates such products shall bear the UL or cUL Certification Mark for jurisdictions employing the UL or cUL Certification (such as Canada), respectively.