

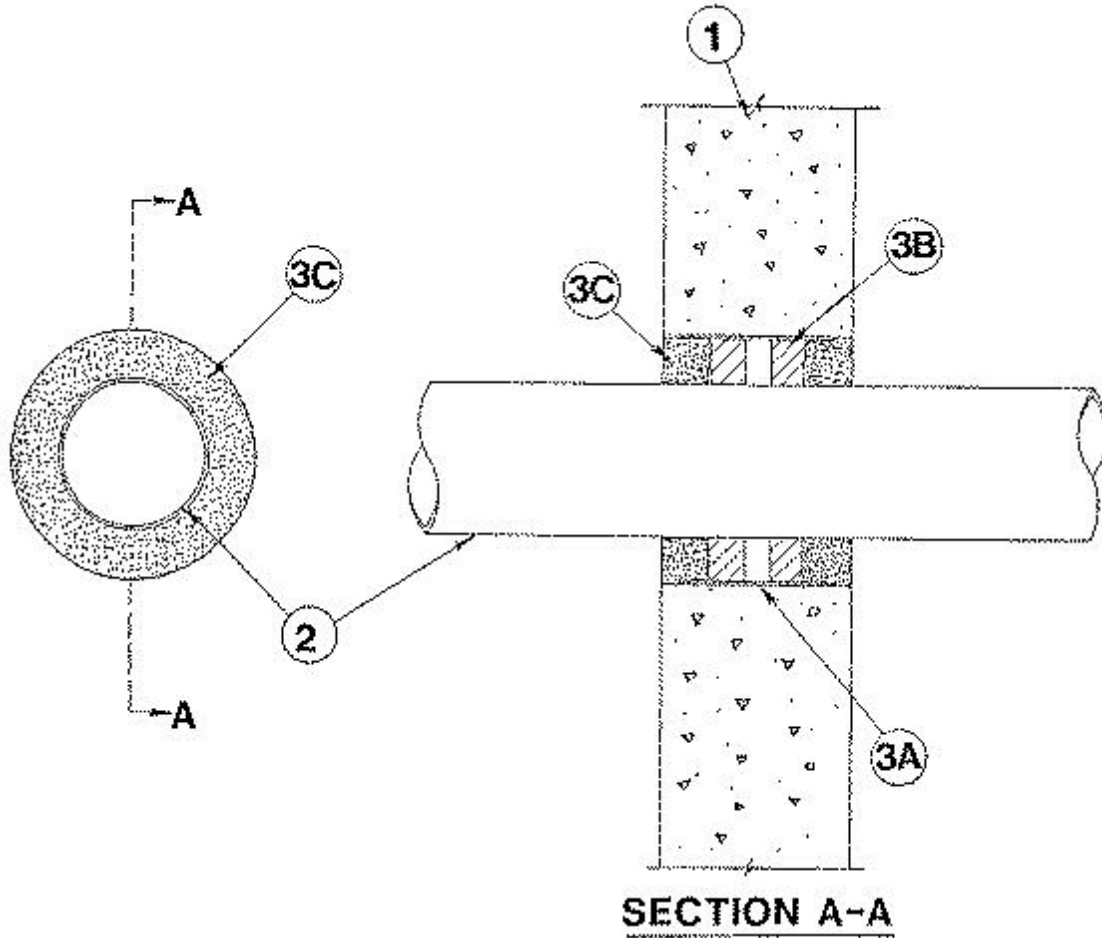


System No. W-J-2005

January 06, 2006

F Ratings — 1 and 2 Hr (See Item 3)

T Ratings — 1 and 1-1/2 Hr (See Item 3)



1. **Wall Assembly** — Min 5 in. thick reinforced lightweight or normal weight (100-150 pcf) concrete. Wall may also be constructed of any UL Classified **Concrete Blocks***. Max diam of opening is 8 in.

See **Concrete Blocks** (CAZT) category in the Fire Resistance Directory for names of manufacturers.

2. **Nonmetallic Pipe** — Nom 4 in. diam (or smaller) Schedule 40 polyvinyl chloride (PVC) or SDR17 chlorinated polyvinyl chloride (CPVC) pipe for use in closed (process or supply) piping systems. Pipe to be rigidly supported on both sides of wall assembly.

3. **Firestop System** — The hourly F and T Rating for the firestop systems are dependent upon the size of pipe, annular space, and min forming and fill material thicknesses as described in the table below. When the annular space in the table shows a range of distances, the penetrating item may be installed either concentrically or eccentrically within the firestop system. The firestop systems shall consist of the following:

A. Steel Sleeve or Wire Mesh — No. 8 steel wire mesh having a min 1 in. lap along the longitudinal seam. Length of sleeve to be 1/4 to 1/2 in. less than overall thickness of wall such that, when installed in circular opening, the ends of the sleeve are recessed 1/8 to 1/4 in. from each surface of the wall. Sleeve may also be formed of min 0.034 in. thick (20 MSG) galvanized sheet steel.

B. Packing Material — Mineral wool batt insulation firmly packed into opening as a permanent form at the thickness shown in the table below. Packing material to be recessed from both

surfaces of wall as required to accommodate the required thickness of fill material. As an option to the above, backer rod and/or foamed plastic backer material may be used.

C. Fill, Void or Cavity Material — Caulk* — Applied within the annulus, flush with both surfaces of wall as shown in the table below:

Max Pipe Diam In.	Annular Space In.	Min Forming Mtl Depth In.	Min Fill Mtl Depth In.	F Rating Hr	T Rating Hr
4	3/4 to	1-1/4	1-1/4	2	1-1/2
	3-1/2				
2	1-3/8	3/4	3/4	1	1

RECTORSEAL — Metacaulk 950

*Bearing the UL Classification Mark