

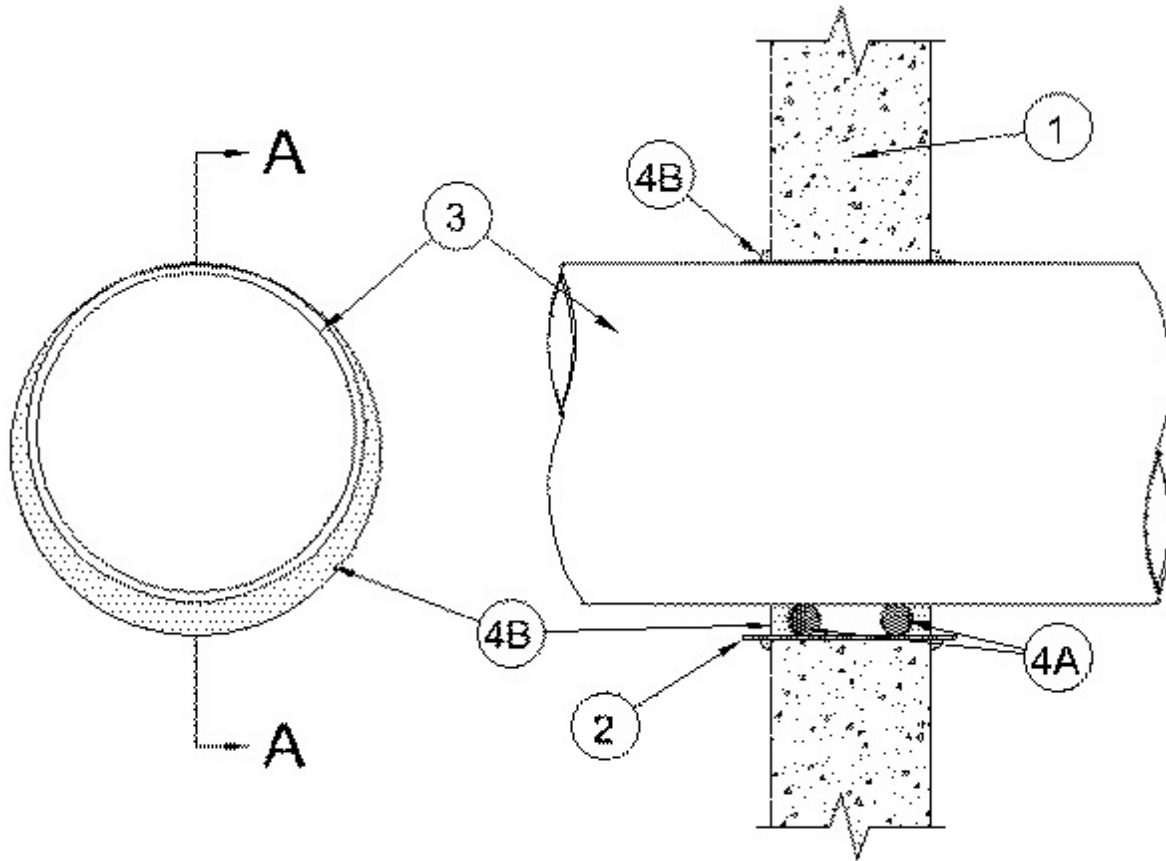


System No. W-J-1196

September 22, 2005

F Rating — 2 Hr

T Rating — 0 Hr



SECTION A-A

1. **Wall Assembly** — Min 6 in. (15 mm) thick reinforced lightweight or normal weight (100-150 pcf or 1600-2400 kg/m³) concrete. Wall may also be constructed of any UL Classified **Concrete Blocks***. Max diam of opening is 14-1/2 in. (368 mm).

See **Concrete Blocks** (CAZT) category in the Fire Resistance Directory for names of manufacturers.

2. **Metallic Sleeve** — (Optional) — Cylindrical sleeve fabricated from min No. 26 gauge galv sheet steel and having a min 1 in. (25 mm) overlap along the longitudinal seam. Ends of sleeve to be flush with or extend a max 1 in. (25 mm) beyond each surface of wall.

3. **Through Penetrants** — One metallic pipe, conduit or tubing to be installed concentrically or eccentrically within the firestop system. The annular space between the penetrant and periphery of opening shall be min 0 in. (point contact) to max 1-7/8 in. (48 mm). Pipe, conduit or tubing to be rigidly supported on both sides of wall assembly. The following types and sizes of metallic pipes, conduit or tubing may be used:

A. **Steel Pipe** — Nom 12 in. (305 mm) diam (or smaller) Schedule 10 (or heavier) steel pipe.

B. **Iron Pipe** — Nom 12 in. (305 mm) diam (or smaller) Schedule 10 (or heavier) cast iron pipe.

C. **Copper Tubing** — Nom 4 in (102 mm) diam (or smaller) Type L (or heavier) copper tube.

D. **Copper Pipe** — Nom 4 in. (102 mm) diam (or smaller) Regular (or heavier) copper pipe.

E. **Conduit** — Nom 6 in. (152 mm) diam (or smaller) steel conduit or nom 4 in. (102 mm) diam (or smaller) steel electrical metallic conduit.

4. **Firestop System** — The firestop system shall consist of the following:

A. **Packing Material** — Foam backer rod firmly packed into opening as a permanent form. Packing material to be recessed from each surface of the wall to accommodate the required thickness of fill material.

B. **Fill Void or Cavity Materials* - Caulk** — Min 1/2 in. (13 mm) thickness of fill material applied within the annulus on both surfaces of the wall assembly. When steel sleeve is not used or when steel sleeve is flush with the wall surfaces, a min 1/2 in. (13 mm) diam bead of caulk shall be applied to the penetrant /concrete interface at the point contact location on both sides of wall. When steel sleeve is used, a bead of caulk is applied to the steel sleeve/concrete interface on both sides of wall.

RECTORSEAL — Metacaulk 350i

*Bearing the UL Classification Mark