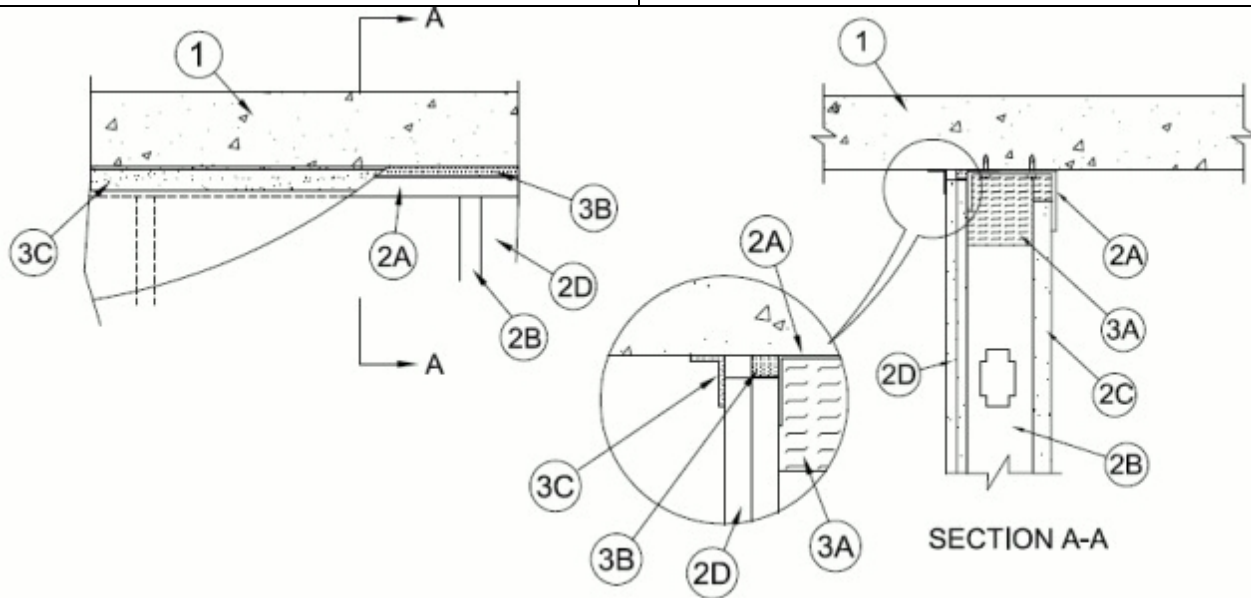


System No. HW-D-0797

September 22, 2017

ANSI/UL2079	CAN/ULC S115
Assembly Ratings — 1 and 2 Hr (See Item 2)	F Ratings — 1 and 2 Hr (See Item 2)
Nominal Joint Width - 3/4 In.	FT Ratings — 1 and 2 Hr (See Item 2)
Class II and III Movement Capabilities — 33% Compression and Extension	FH Ratings — 1 and 2 Hr (See Item 2)
	FTH Ratings — 1 and 2 Hr (See Item 2)
	Nominal Joint Width - 19 mm
	Class II and III Movement Capabilities — 33% Compression and Extension



1. Floor Assembly — Min 4-1/2 in. (114 mm) thick steel-reinforced lightweight or normal weight (100-150 pcf or 1600-2400 kg/m³) structural concrete.

2. Shaft Wall Assembly — The 1 or 2 hr fire rated gypsum board/stud wall assembly shall be constructed of the materials and in the manner described in the individual U400, V400 or W400 Series Wall and Partition Design in the UL Fire Resistance Directory and shall include the following construction features:

A. Floor and Ceiling Runners — "J"-shaped runner, min 2-1/2 in. (64 mm) wide with unequal legs of min 2 in. (51 mm) and min 3 in. (76 mm), fabricated from min 20 MSG galv steel. Ceiling runner to be attached to floor with two steel concrete anchors spaced a max 24 in. (610 mm) OC. As an alternate to the "J"-shaped runner, a min 2-1/2 in. (64 mm) wide by 1 or 1-1/4 in. (25 or 32 mm) deep channel formed from min 25 MSG galv steel may be used for the floor runner.

A1. Light Gauge Framing* — Slotted Ceiling Track — (Not Shown) - As an alternate to the Item 2A, a ceiling track consisting of galv steel channel with slotted flanges may be used. Slotted ceiling track sized to accommodate steel studs (Item 2B). Legs are to be min 3 in. (76 mm) long. Attached to floor as specified in item 2A.

See **Light Gauge Framing (XHLI)** Category for names of Classified Companies.

B. Studs — "C-T", "I", or "C-H" shaped steel studs to be min 2-1/2 in. (64 mm) wide and formed of min 25 ga galv steel. Studs cut 1/2 to 3/4 in. (13 to 19 mm) less in length than assembly height with bottom nesting in floor runner. Studs spaced max 24 in. (610 mm) OC.

C. **Gypsum Board*** — 1 in. (25 mm) thick by max 24 in. (610 mm) wide gypsum board liner panels. Panels cut max 3/8 in. (9.5 mm) less in length than floor to ceiling height. Vertical edges inserted into "T" shaped section of "C-T" studs, into holding tabs of "I" studs or into "H"-shaped section of "C-H" studs.

D. **Gypsum Board*** — Gypsum board 5/8 in. (16 mm) thick, applied on finished side of wall as specified in the individual Wall and Partition Design. The boards are cut max 3/4 in. (19 mm) less in length than the floor to ceiling height. The screws attaching the gypsum board layer(s) to the "C-T", "I", or "C-H" studs shall be located max 3 in. (76 mm) below the steel deck. No gypsum board attachment screws shall be driven into the ceiling runner.

The hourly fire rating and the F, FT, FH and FTH ratings of the joint system are equal to the hourly fire rating of the wall.

3. Joint System — Max separation between bottom of floor and top of wall is 3/4 in. (19 mm). The joint system is designed to accommodate a max 33 percent compression and extension from its installed width. The joint system consists of the following:

A. **Forming Material*** — Min 4 pcf (64 kg/m³) mineral wool insulation. Min 1 in. (25 mm) wide pieces of forming material to be cut to a thickness 50% greater than the gap above the shaft liner board, compressed and installed within the ceiling runner above the shaft liner board. In addition, min 3 in. thickness of forming material cut to a width 20% larger than the width of the ceiling runner, compressed in width and installed into the top of ceiling runner between leg of track and gypsum liner board. Butt joints in the forming material shall be spaced minimum 40 in. (102 mm) apart along the length of the joint.

B. **Fill, Void or Cavity Material*** — Nom 1-1/2 in. (38 mm) high by 5/8 in. (16 mm) thick foam with integral 1.5 mm by 5/8 in. (16 mm) wide intumescent strip adhered to bottom surface. Blaze Foam to be compressed and inserted into joint between concrete floor and gypsum board, against ceiling runner, with the intumescent strip positioned at bottom and resting on the cut edge of the gypsum board. Blaze Foam is supplied in varying lengths and shall be cut to length and friction fit within the joint with ends tightly butted. Butt joints in the BlazeFoam shall be spaced min 40 in. (102 mm) apart. Blaze Foam applied within joint opening on finished side of wall.

RECTORSEAL — Blaze Foam

C. **Tape and Joint Compound** — A layer of tape and joint compound shall be applied over the joint at the finished side of wall. The tape shall lap onto the gypsum wall and concrete floor, along the length of the joint.

*** Indicates such products shall bear the UL or cUL Certification Mark for jurisdictions employing the UL or cUL Certification (such as Canada), respectively.**