

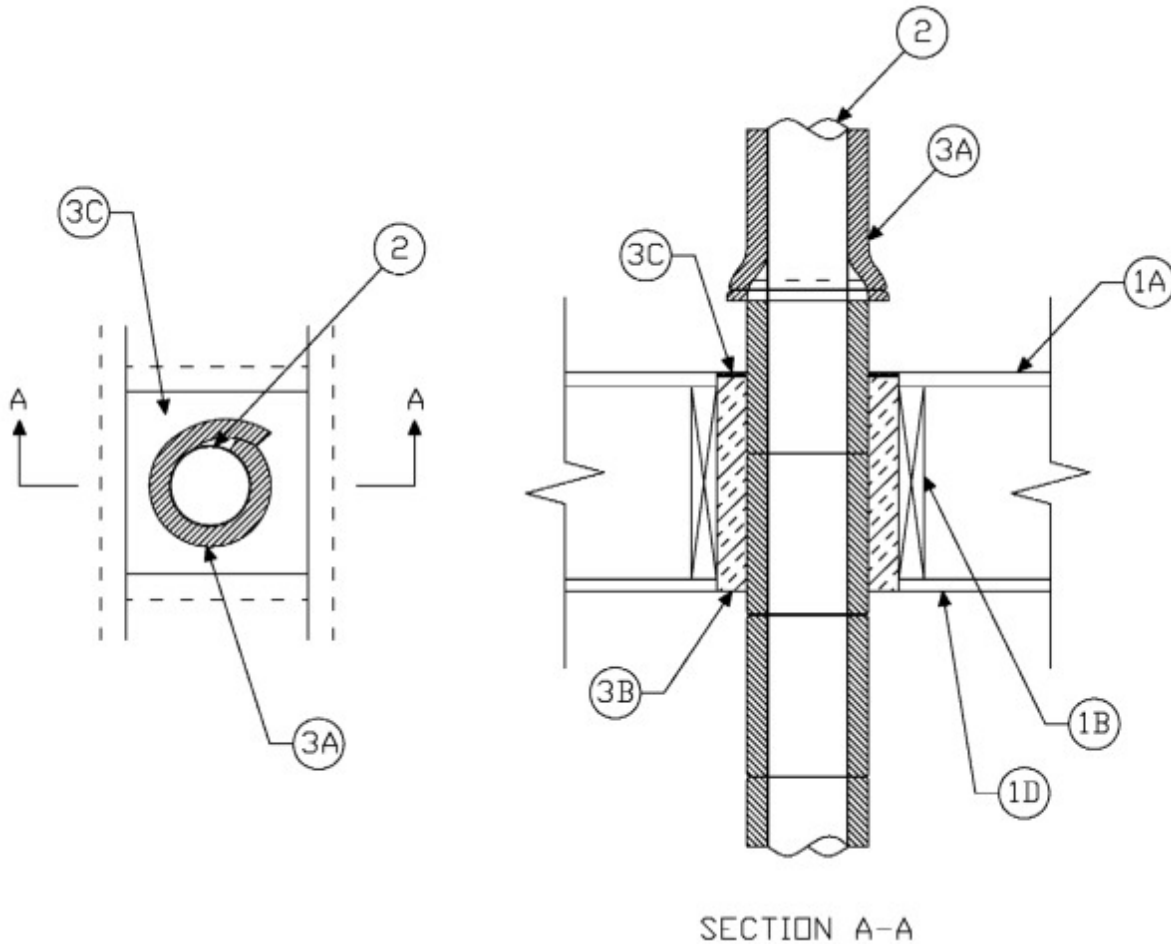


System No. F-C-7055

January 18, 2011

F Rating — 1 Hr

T Rating — 1 Hr



1. **Floor-Ceiling Assembly** — The 1 hr fire-rated solid or trussed lumber joist floor-ceiling assembly shall be constructed of the materials and in the manner specified in the individual L500 Series Floor-Ceiling Designs in the UL Fire Resistance Directory. The general construction details of the floor-ceiling assembly are summarized below:

A. Flooring System — Lumber or plywood subfloor with finish floor of lumber, plywood or **Floor Topping Mixture*** as specified in the individual Floor-Ceiling Design. Max area of floor opening is 81 in.2 (0.052 m²) with a max dimension of 10 in. (254 mm).

B. Wood Joists — Nom 10 in. (254 mm) deep (or deeper) lumber, steel or combination lumber and steel joists, trusses or **Structural Wood Members*** with bridging as required and with ends firestopped. Additional framing members installed to form a square enclosure around the perimeter of the opening in the floor and ceiling.

C. Furring Channels — (Where Required - Not Shown) - Resilient galv steel furring installed perpendicular to wood joists between gypsum board and wood joists as specified in the individual Floor-Ceiling Design. Furring channels spaced max 24 in. (610 mm) OC. If furring channels are used within the assembly, additional furring channels to be installed along the periphery of the opening.

D. Gypsum Board* — Nom 4 ft (1.2 m) wide by 5/8 in. (16 mm) thick as specified in the individual Floor-Ceiling Design. Gypsum board secured to wood joists or furring channels as specified in the individual Floor-Ceiling Design. Max area of ceiling opening is 81 in.2 (0.052

m²) with a max dimension of 10 in. (mm).

2. **Steel Air Duct** — Max 4 in. (102 mm) diam by min 0.0157 in. (No. 30 gauge or 0.40 mm) thick galv steel air duct to be centered within the firestop system. Max one steel air duct to be installed within opening. Steel duct to be rigidly supported on both sides of floor-ceiling assembly.

3. **Firestop System** — The firestop system shall consist of the following:

A. **Duct Wrap Materials*** — Nom 1 in. (25.4 mm) thick, 6 pcf (96 kg/m³) with or without foil-scrim facers. The steel duct shall be wrapped with one layer of duct wrap installed in accordance with Ventilation Assembly No. V-29. See Ventilation Duct Assemblies in Vol. 2 of the Fire Resistance Directory. The annular space between the insulated steel duct and the periphery of the opening shall be a nom 1-1/2 in. (38 mm).

THERMAL CERAMICS INC — FireMaster DryerWrap, FireMaster FastWrap XL, Pyroscat Duct Wrap XL

B. **Packing Material** — Min 10-3/8 in. (264 mm) thickness of unfaced scrap duct wrap material compressed 25 percent into opening as a permanent form between the insulated steel duct and the periphery of the opening. Packing material to be installed flush with bottom surface of ceiling and recessed from top surface of floor to accommodate the required thickness of fill material.

C. **Fill, Void or Cavity Material* - Sealant** — Min 1/4 in. (6 mm) thickness of fill material applied within annulus on top surface of floor.

EGS NELSON FIRESTOP — ES1399 or LBS3 Sealant

HILTI CONSTRUCTION CHEMICALS, DIV OF

HILTI INC — FS-ONE Sealant

RECTORSEAL — 835+ Sealant

SPECIFIED TECHNOLOGIES INC — SpecSeal Series SSS Sealant, SpecSeal 150 Sealant, SpecSeal LE600 Sealant or SpecSeal LCI Sealant

THERMAL CERAMICS INC — FireMaster Putty

TREMCO INC — Fyre-Sil, TREMstop Acrylic or TREMstop Intumescent Acrylic Sealant, FyreCaulk or TREMstop IA+

*Bearing the UL Classification Mark