

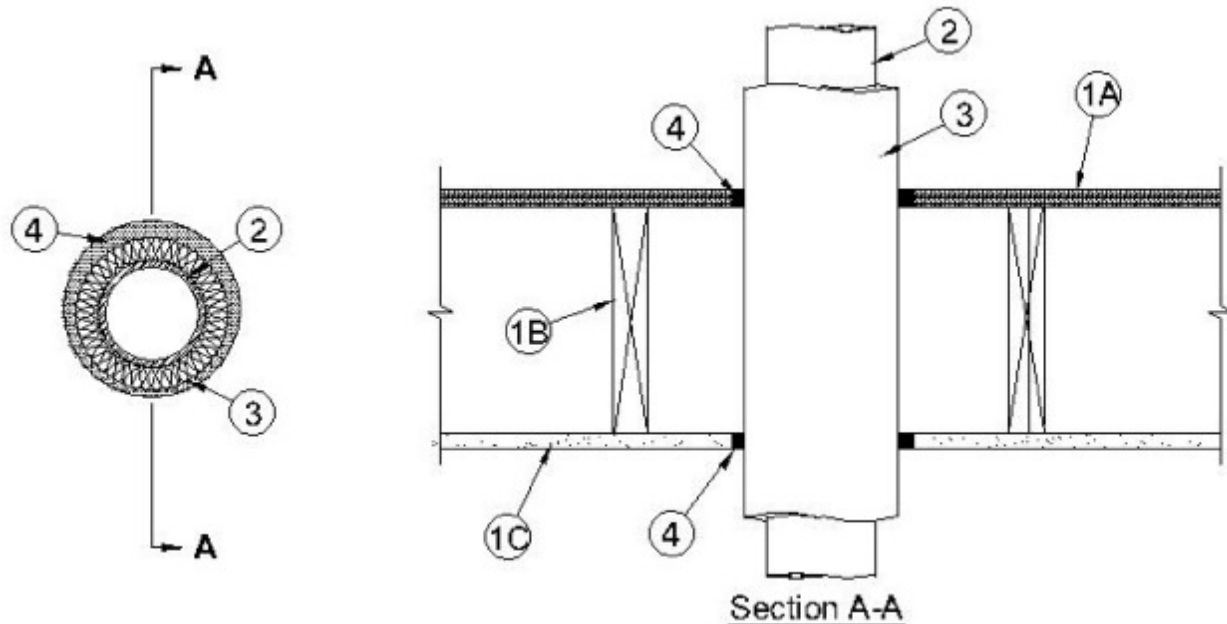


System No. F-C-5078

February 08, 2007

F Rating - 1 Hr

T Rating - 1 Hr



1. Floor-Ceiling Assembly — The 1 hr fire-rated wood joist floor-ceiling assembly shall be constructed of the materials and in the manner specified in the individual L500 Designs in the UL Fire Resistance Directory, as summarized below:

A. Flooring System — Lumber or plywood subfloor with finish floor of lumber, plywood or Floor Topping Mixture* as specified in the individual Floor-Ceiling Design. Max diam of opening is 8 in. (203 mm).

B. Wood Joists — Nom 10 in. (254 mm) deep (or deeper) lumber, steel or combination lumber and steel joists, trusses or Structural Wood Members* with bridging as required and with ends firestopped.

C. Wallboard, Gypsum* — Nom 5/8 in. (16 mm) thick as specified in the individual Floor-Ceiling Design.

2. Through Penetrant — One metallic pipe installed concentrically or eccentrically within the firestop system. Pipe or tubing to be rigidly supported on each side of the floor assembly. The following types and sizes of metallic pipes or tubing may be used:

A. Steel Pipe — Nom 4 in. (102 mm) diam or (smaller) sch 10 (or heavier) steel pipe.

B. Iron Pipe — Nom 4 in. (102 mm) (or smaller) cast or ductile iron pipe.

C. Copper Pipe — Nom 4 in. (102 mm) diam (or smaller) regular (or heavier) copper pipe

D. Copper Tube — Nom 4 in. (102 mm) diam (or smaller) type L (or heavier) copper tube.

3. Pipe Covering* — Nom 1-1/2 in. (38 mm) thick hollow cylindrical heavy density glass fiber units jacketed on the outside with an all service jacket. Longitudinal joints sealed with metal fasteners or factory-applied self-sealing lap tape. Transverse joints secured with metal fasteners or with butt tape supplied with the product. The annular space between insulated pipe and periphery of opening shall be min 1/4 in. (6 mm) to max 5/8 in. (16 mm).

See **Pipe and Equipment Covering—Materials** (BRGU) category in the Building Materials Directory for names of manufacturers. Any pipe covering material meeting the above specifications and bearing the UL Classification Marking with a Flame Spread Index of 25 or less and a Smoke Developed Index of 50 or less may be used.

4. **Firestop System** — The firestop system shall consist of the following:

A. **Fill, Void or Cavity Material* - Caulk** — Min 3/4 in. (19 mm) thickness of fill material applied within annulus, flush with top surface of subfloor and min 5/8 in. (16 mm) thickness of fill material applied within the annulus, flush with bottom surface of ceiling.

RECTORSEAL — MC-150+

*Bearing the UL Classification Mark