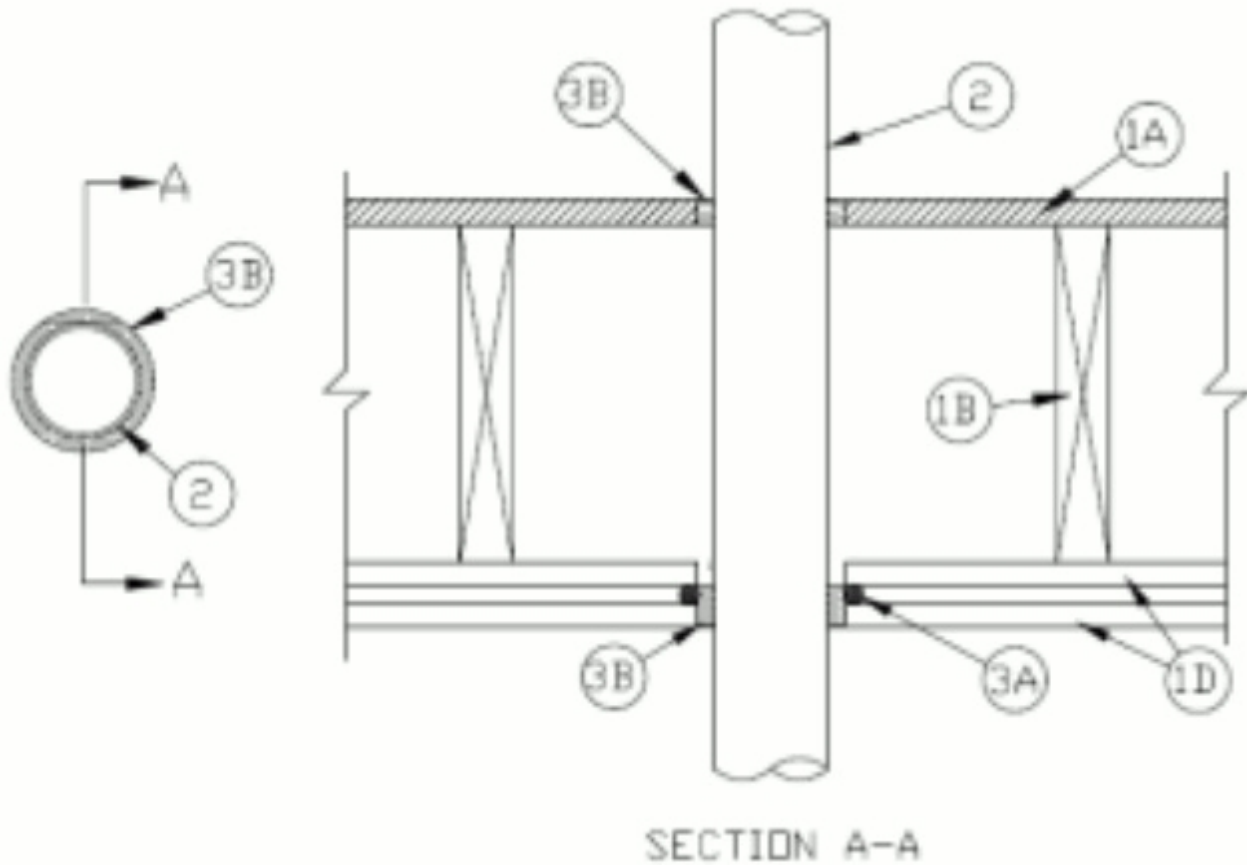




System No. F-C-2413

February 18, 2013

ANSI/UL1479 (ASTM E814)	CAN/ULC S115
F Rating — 2 Hr	F Rating — 2 Hr
T Rating — 2 Hr	FT Rating — 2 Hr
	FH Rating — 2 Hr
	FTH Rating — 2 Hr



System tested with a pressure differential of 2.5 Pa between the exposed and the unexposed surfaces with the higher pressure on the exposed side.

1. Floor Ceiling Assembly — The 2 hr fire-rated floor-ceiling assembly shall be constructed of the materials and in the manner specified in the individual L500 Series Floor-Ceiling Designs in the UL Fire Resistance Directory.

A. Flooring System — Lumber or plywood subfloor with finish floor of lumber, plywood or Floor Topping Mixture* as specified in the individual Floor-Ceiling Design. Diam of floor opening to be 1-1/2 in. (38 mm) larger than nom diam of through penetrant (Item 3).

B. Wood Joists — Nom 2 by 10 in. (51 by 254 mm) lumber joists spaced 16 in. (406 mm) OC with nom 1 by 3 in. (25 by 76 mm) lumber bridging and with ends firestopped.

C. Furring Channels — (Not Shown) — Galv steel furring channels installed perpendicular to wood joists between first and second layers of gypsum board (Item 1D). Furring channels spaced max 24 in. (610 mm) OC. as specified in the individual Floor-Ceiling Design.

D. Gypsum Board* — Nom 4 ft (1.2 m) wide by 5/8 in. (16 mm) thick as specified in the individual Floor-Ceiling Design. First layer of gypsum board secured to wood joists or furring channels as specified in the individual Floor-Ceiling Design. Second layer of gypsum board (screw-attached to furring channels as specified in the individual Floor-Ceiling Design. Diam of opening to be 1-1/2 in. (38 mm) larger than nom diam of through penetrant (Item 3)

2. Through Penetrants — One nonmetallic pipe or conduit to be installed either concentrically or eccentrically within the firestop system. The space between pipe or conduit and periphery of opening shall be min 3/8 in. to max 3/4 in. (19 mm). Pipe or conduit to be rigidly supported on both sides of floor-ceiling assembly. The following types and sizes of nonmetallic pipes or conduits may be used:

A. Polypropylene (PP) Pipe — Nom 2 in. (51 mm) diam (or smaller) SDR 11 PP pipe for use in closed (process or supply) piping systems.

Aquatherm — Fusiolen

B. Acrylonitrile Butadiene Styrene (ABS) Pipe — Nom 2in. (51 mm) diam (or smaller) Schedule 40 solid or cellular core ABS pipe for use in closed (process or supply) or vented (drain, waste or vent) piping systems.

3 Firestop System — The firestop system shall consist of the following:

A. Packing Material — Foam backer rod installed between first and second layer of gypsum board completely around the opening.

B. Fill, Void or Cavity Material* — Caulk — Min 3/4 in. (19 mm) thickness of fill material applied within the annulus, flush with the top surface of the floor. Min 5/8 in. (16 mm) thickness of fill material applied within the annulus, flush with bottom surface of ceiling.

RECTORSEAL — Metacaulk 1000, Biostop 500+, FlameSafe FS1900

*Bearing the UL Classification Mark