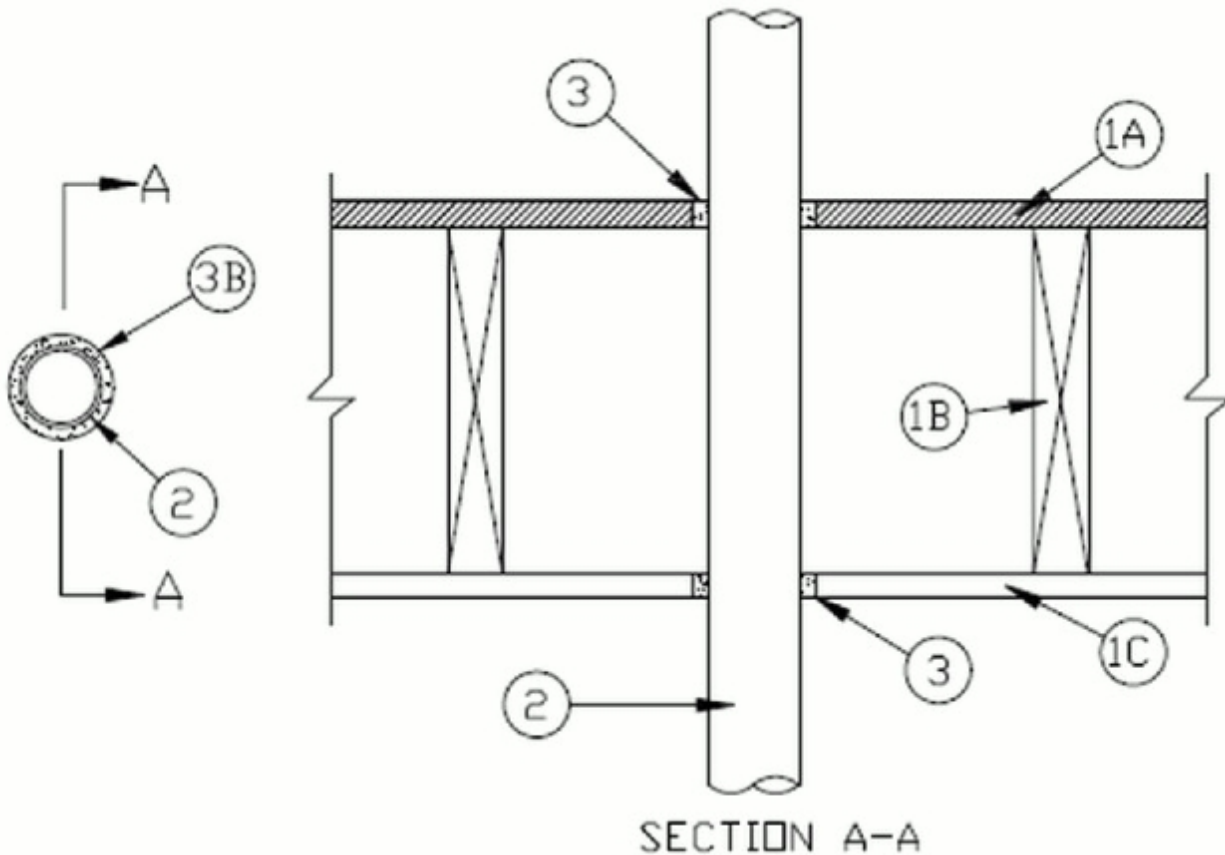




System No. F-C-2407

November 14, 2013

ANSI/UL1479 (ASTM E814)	CAN/ULC S115
F Ratings — 1 Hr	F Ratings — 1 Hr
T Rating — 1 Hr	FT Rating — 1 Hr
	FH Ratings — 1 Hr
	FTH Rating — 1 Hr



1. Floor Ceiling Assembly — The 1 h fire-rated wood joist floor-ceiling assembly shall be constructed of the materials and in the manner specified in the individual L500 Designs in the ULC Fire Resistance Directory, as summarized below:

A. Flooring System — Lumber or plywood subfloor with finish floor of lumber, plywood or **Floor Topping Mixture*** as specified in the individual Floor-Ceiling Design. Max diam of floor opening is 3 in. (76 mm).

B. Wood Joists — Nom 10 in. (254 mm) deep (or deeper) lumber, steel or combination lumber and steel joists, trusses or **Structural Wood Members*** with bridging as required and with ends firestopped.

C. Gypsum Board — Nom 5/8 in. (16 mm) thick as specified in the individual Floor-Ceiling Design. Wallboard secured to joists as specified in the individual Floor-Ceiling Design. Max diam of ceiling opening is 3 in. (76 mm).

2. Nonmetallic Pipe — Nom 2 in. (51 mm) diam (or smaller) nonmetallic pipe for use in closed (process or supply) or vented (drain, waste or vent) piping systems. Pipe to be installed concentrically within the firestop system. The annular space between the pipe and periphery of opening shall be Nom 1/4 in. (6 mm). Pipe to be rigidly supported on both sides of floor or wall assembly. The following types and sizes of nonmetallic pipe may be used:

A. **Polypropylene (PP) Pipe** — Nom 2 in. (51 mm) diam (or smaller) Aquatherm Greenpipe SDR 7.4 PP pipe for use in closed (process or supply) piping systems.

B. **Polypropylene (PP) Pipe** — Nom 2 in. (51 mm) diam (or smaller) Aquatherm Greenpipe SDR 11 PP pipe for use in closed (process or supply) piping systems.

C. **Chlorinated Polyvinyl Chloride (CPVC) Pipe** — Nom 51 mm diam (or smaller) ADR 13.5 CPVC Pipe for use in closed (Process of Supply) piping system.

3. **Fill, Void or Cavity Material- Caulk** — Min 3/4 in. (19 mm) thickness of fill material applied within annulus, flush with top surface of floor and bottom of ceiling.

RECTORSEAL — Biostop 500+, Metacaulk 1000, Flame Safe 1900

*Bearing the UL Classification Mark