

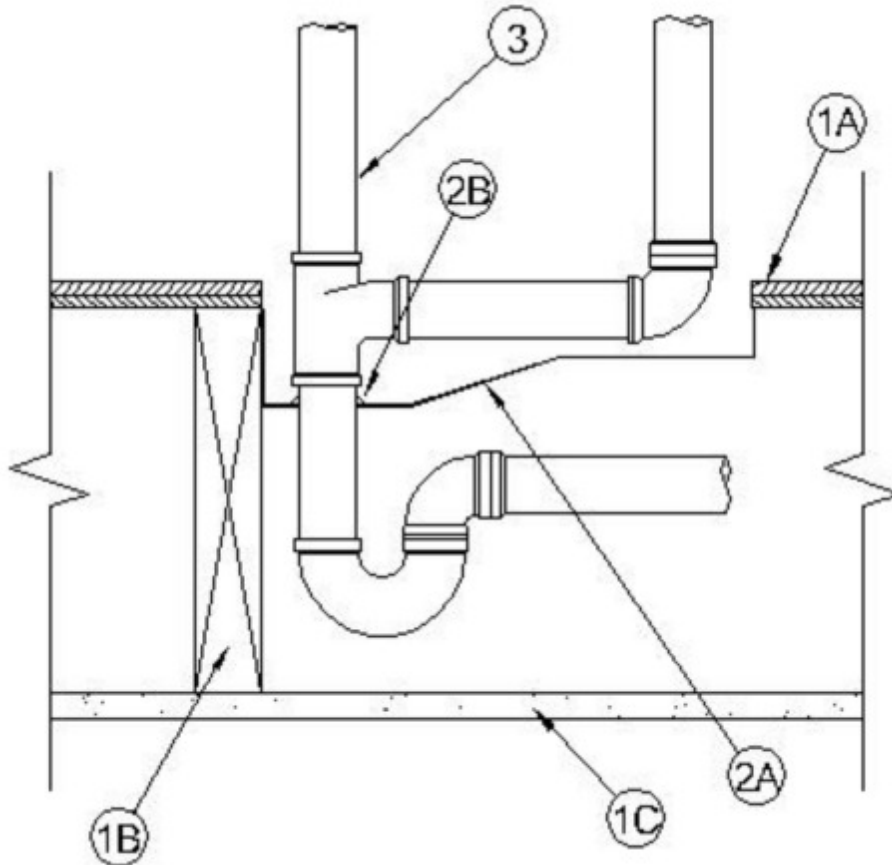


### System No. F-C-2365

October 17, 2007

F Rating — 1 Hr

T Rating — 3/4 Hr



1. **Floor-Ceiling Assembly** — The 1 hr fire-rated wood joist floor-ceiling assembly shall be constructed of the materials and in the manner specified in individual L500 Series Designs in the UL Fire Resistance Directory. The general construction details of the floor-ceiling assembly are summarized below:

A. **Flooring System** — Lumber or plywood subfloor with finish floor of lumber, plywood or **Floor Topping Mixture\*** as specified in the individual Floor-Ceiling Design. Rectangular cutout in flooring to accommodate the bathtub drain piping (Item 2) to be max 6 by 10-1/2 in. (152 by 267 mm).

B. **Wood Joists** — Nom 10 in. (254 mm) deep (or deeper) lumber, steel or combination lumber and steel joists, trusses or **Structural Wood Members\*** with bridging as required and with ends firestopped.

C. **Gypsum Board\*** — Nom 5/8 in. (16 mm) thick as specified in the individual Floor-Ceiling Design. Wallboard secured to joists as specified in the individual Floor-Ceiling Design.

2. **Firestop System** — The firestop system shall consist of the following:

A. **Drain Pan\*** — Attached to bottom of floor cutout with at least five wood screws through pan tabs. Pan may be butted against joist(s) on two sides.

**RECTORSEAL** — Drain Pan.

**B. Fill, Void or Cavity Material\* - Caulk** — Min 1/2 in. bead of material applied at pipe device interface.

**RECTORSEAL** — Metacaulk 1000

**3. Through Penetrants** — One nonmetallic pipe to be installed either concentrically or eccentrically within the firestop system. Pipe to be rigidly supported on both sides of floor assembly. The following types and sizes of nonmetallic pipes may be used:

**A. Polyvinyl Chloride (PVC) Pipe** — Nom 1-1/2 in. (38 mm) diam (or smaller) Schedule 40 cellular or solid core PVC pipe for use in closed (process or supply) or vented (drain, waste or vent) piping system.

**B. Polypropylene pipe** — Nom 1-1/2 in. (38 mm) diam (or smaller) polypropylene pipe for use in closed (process or supply) or vented (drain, waste or vent) piping system.

\*Bearing the UL Classification Mark