

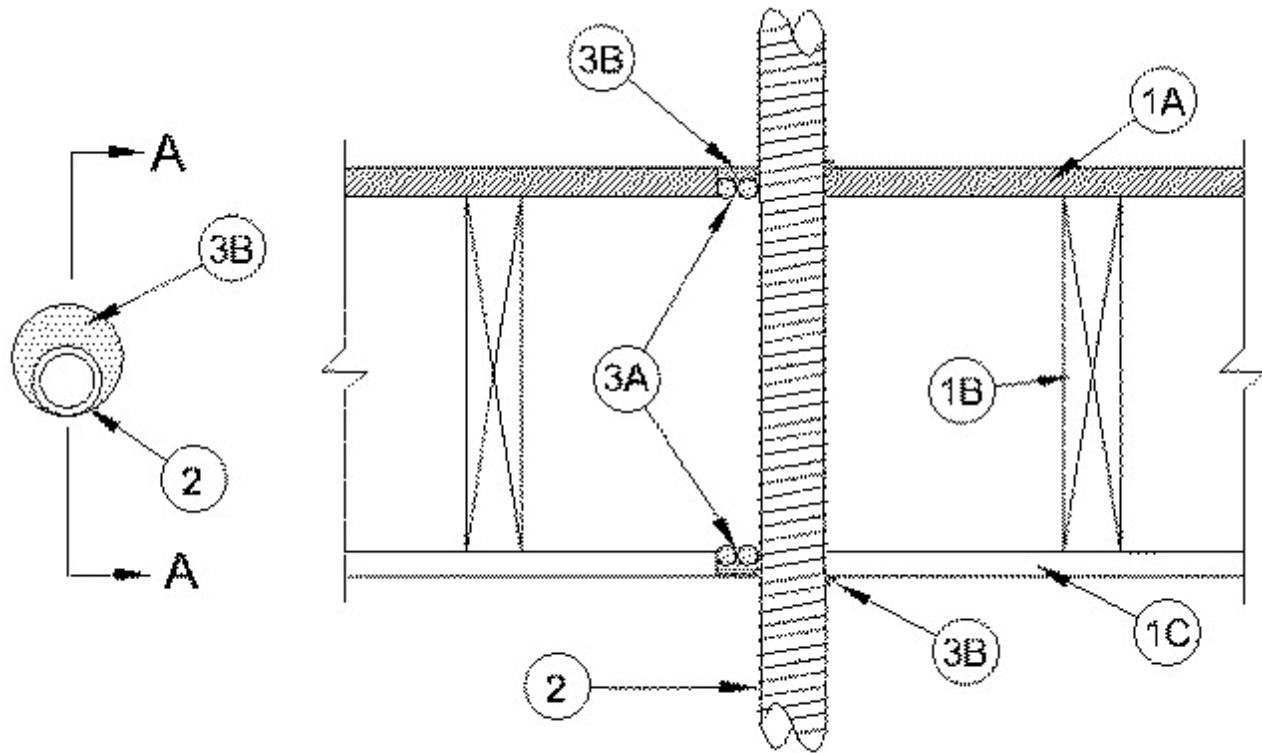


### System No. F-C-1139

September 22, 2005

F Rating — 1 Hr

T Ratings — 1/4 and 1 Hr (See Item 2)



SECTION A-A

1. **Floor - Ceiling Assembly** — The 1 hr fire-rated wood joist floor-ceiling assembly shall be constructed of the materials and in the manner specified in the individual L500 Designs in the UL Fire Resistance Directory, as summarized below:

**A. Flooring System** — Lumber or plywood subfloor with finish floor of lumber, plywood or **Floor Topping Mixture\*** as specified in the individual Floor-Ceiling Design. Max diam of floor opening is 3 in. (76 mm).

**B. Wood Joists** — Nom 10 in. (354 mm) deep (or deeper) lumber, steel or combination lumber and steel joists, trusses or Structural Wood Members\* with bridging as required and with ends firestopped.

**C. Gypsum Board\*** — Nom 5/8 in. (16 mm) thick as specified in the individual Floor-Ceiling Design. Wallboard secured to joists as specified in the individual Floor-Ceiling Design. Max diam of ceiling opening is 3 in. (76 mm).

2. **Through-Penetrant —Flexible Metal Conduit+** — One flexible metal conduit to be installed eccentrically or concentrically within the firestop system. The annular space shall be min 0 in. (point contact) to max 1-1/8 in. (29 mm). Conduit to be rigidly supported on both sides of floor assembly. The following types and sizes of conduit may be used:

**A. Steel Flexible Metal Conduit** — Nom 1-1/2 in. (38 mm) diam (or smaller) steel flexible metal conduit. **When steel flexible metal conduit is used, the hourly T Rating of the firestop system is 1 hr.**

**B. Aluminum Flexible Metal Conduit** — Nom 1-1/2 in. (38 mm) diam (or smaller) aluminum flexible metal conduit. **When aluminum flexible metal conduit is used, the hourly T Rating**

**of the firestop system is 1/4 hr.**

See **Flexible Metal Conduit** (DXUZ) category in the Electrical Construction Materials Directory for names of manufacturers.

**2A. Through Penetrating Product\* Flexible Metal Piping** — As an alternate to the flexible metal conduit, one nom 1-1/4 in. (32 mm) diam (or smaller) steel flexible metal piping may be installed concentrically or eccentrically within the firestop system. The annular space shall be min 1/4 in. (6 mm) to max 1-1/8 in. (29 mm). Piping to be rigidly supported on both sides of wall assembly. **When steel flexible metal piping is used, the hourly T Rating of the firestop system is 1 hr.**

**OMEGA FLEX INC**

**GASTITE, DIV OF TITFLEX**

**WARD MFG INC**

**3. Firestop System** — The firestop system shall consist of the following:

**A. Packing Material** — Foam backer rod firmly packed into opening as a permanent form. Packing material to be recessed from top surface of subfloor and bottom surface of the ceiling as required to accommodate the required thickness of fill material.

**B. Fill, Void or Cavity Material\* - Caulk** — Min 1/4 in. (6 mm) thickness of fill material applied within annulus, flush with top surface of subfloor and bottom surface of ceiling. At point contact locations, a min 1/4 in. (6 mm) diam bead of fill material shall be applied to the subfloor/conduit and ceiling/conduit interfaces.

**RECTORSEAL** — Metacaulk 350i

\*Bearing the UL Classification Mark