

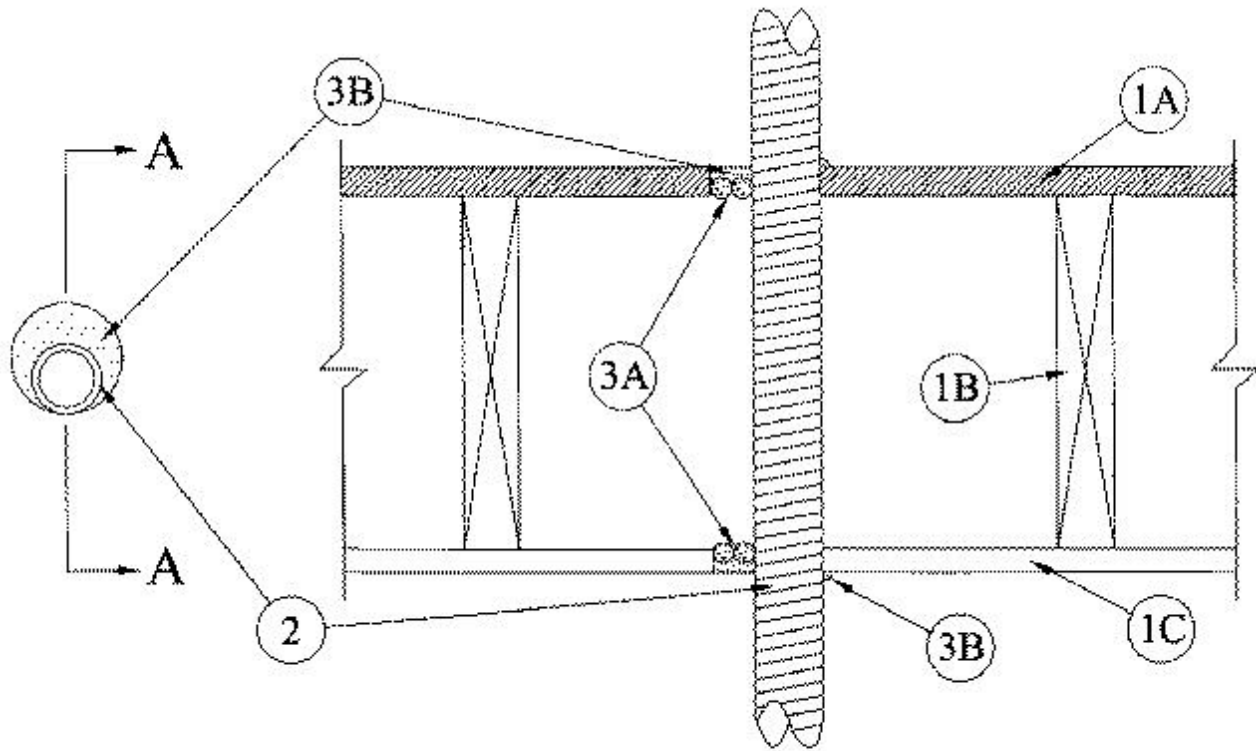


System No. F-C-1061

February 22, 2000

F Rating — 1 Hr

T Ratings — 1/4 and 1 Hr (See Item 2)



SECTION A-A

1. Floor-Ceiling Assembly — The 1 hr fire-rated wood joist floor-ceiling assembly shall be constructed of the materials and in the manner specified in the individual L500 Designs in the UL Fire Resistance Directory, as summarized below:

A. Flooring System — Lumber or plywood subfloor with finish floor of lumber, plywood or **Floor Topping Mixture*** as specified in the individual Floor-Ceiling Design. Max diam of floor opening is 3 in.

B. Wood Joists — Nom 10 in. deep (or deeper) lumber, steel or combination lumber and steel joists, trusses or **Structural Wood Members*** with bridging as required and with ends firestopped.

C. Gypsum Board* — Nom 5/8 in. thick as specified in the individual Floor-Ceiling Design. Wallboard secured to joists as specified in the individual Floor-Ceiling Design. Max diam of ceiling opening is 3 in.

2. Through-Penetrant — One **Flexible Metal Conduit+** to be installed either eccentrically or concentrically within the firestop system. The annular space shall be min 0 in. (point contact) to max 1-1/8 in. Conduit to be rigidly supported on both sides of floor assembly. The following types and sizes of conduit may be used:

A. Steel Flexible Metal Conduit — Nom 1-1/2 in. diam (or smaller) steel flexible metal conduit. **When steel flexible metal conduit is used, the hourly T Rating of the firestop system is 1 hr.**

See **Flexible Metal Conduit** (DXUZ) category in the Electrical Construction Materials Directory for names of manufacturers.

B. Aluminum Flexible Metal Conduit — Nom 1-1/2 in. diam (or smaller) aluminum flexible metal conduit. **When aluminum flexible metal conduit is used, the hourly T Rating of the firestop system is 1/4 hr.**

See **Flexible Metal Conduit** (DXUZ) category in the Electrical Construction Materials Directory for names of manufacturers.

2A. Through Penetrating Product*— Flexible Metal Piping — As an alternate to the flexible metal conduit, one nom 1-1/4 in. diam (or smaller) steel flexible metal piping may be installed either concentrically or eccentrically within the firestop system. The annular space shall be min 1/4 in. to max 1-1/8 in. Piping to be rigidly supported on both sides of wall assembly. **When steel flexible metal piping is used, the hourly T Rating of the firestop system is 1 hr.**

OMEGA FLEX INC

GASTITE, DIV OF TITFLEX

WARD MFG INC

3. Firestop System — The firestop system shall consist of the following:

A. Packing Material — Foam backer rod firmly packed into opening as a permanent form. Packing material to be recessed from top surface of subfloor and bottom surface of the ceiling as required to accommodate the required thickness of fill material.

B. Fill, Void or Cavity Material* — Caulk — Min 1/4 in. thickness of fill material applied within annulus, flush with top surface of subfloor and bottom surface of ceiling. At point contact locations, a min 1/4 in. diam bead of fill material shall be applied to the subfloor/conduit and ceiling/conduit interfaces.

RECTORSEAL — Metacaulk 1000

*Bearing the UL Classification Mark