

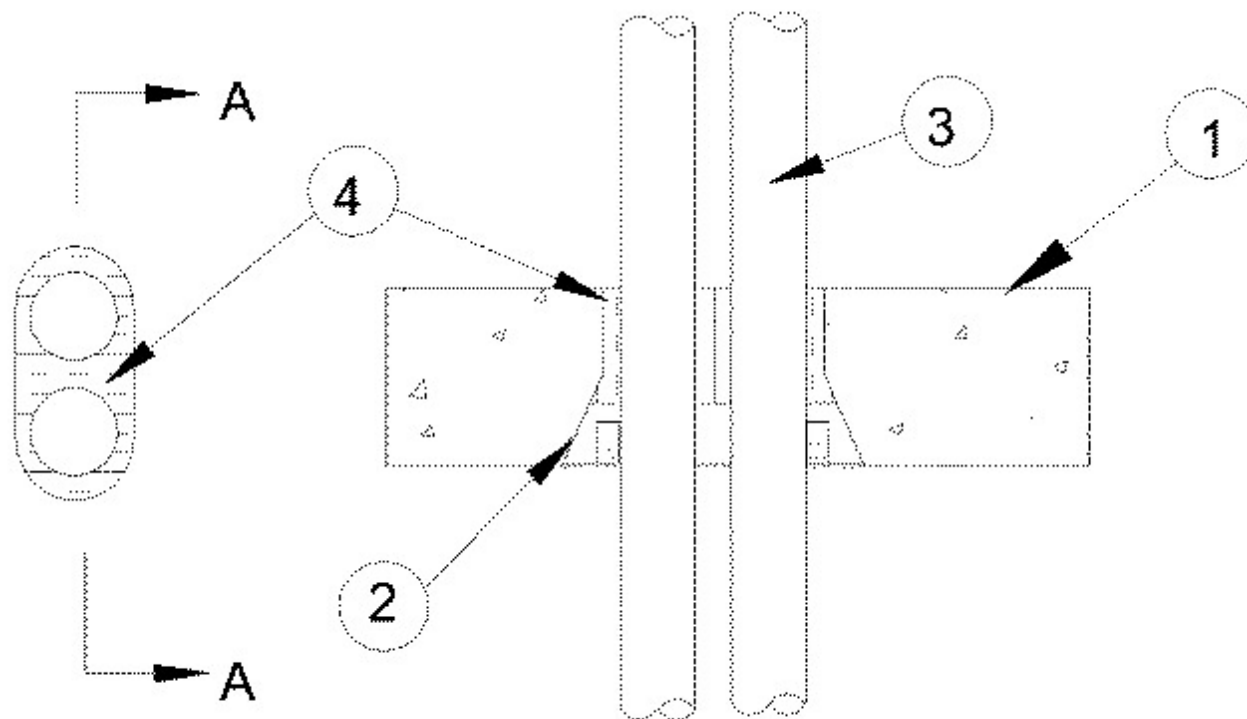
System No. F-A-2147

February 08, 2010

F Rating — 3 Hr

T Rating — 3 Hr

W Rating — Class 1 (See Item 5)



Section A-A

1. **Floor Assembly** — Min 4-1/2 in. (114 mm) thick reinforced lightweight or normal weight (100-150 pcf or 1600-2400 kg/m³) concrete.

2. **Firestop Device*** — Cast in place firestop device permanently embedded during concrete placement in accordance with accompanying installation instructions. The device may project up to a max of 3-1/2 in. (89 mm) above top surface of floor or trimmed flush with top surface of floor.

RECTORSEAL — Metacaulk or Rectorseal Cast-In Place Device, or Metacaulk or Rectorseal Multi Purpose CIP Device

3. **Through Penetrants** — One or two nonmetallic pipes or conduits installed within the firestop system. Pipe or conduit to be rigidly supported on both sides of floor assembly. The nom pipe or conduit size shall be max 1-1/2 in. (38 mm). A min 1/2 in. (13 mm) annular space shall be maintained between the penetrants and between the penetrants and the device. The following types of metallic pipes or conduits may be used:

A. **Polyvinyl Chloride (PVC) Pipe** — Schedule 40 solid core PVC or cellular core PVC (ccPVC) pipe for use in closed (process or supply) or vented (drain, waste or vent) piping systems.

B. **Rigid Nonmetallic Conduit (RNC)+** — Schedule 40 PVC conduit installed in accordance with the National Electrical Code (NFPA No. 70).

C. **Chlorinated Polyvinyl Chloride (CPVC) Pipe** — SDR13.5 CPVC pipe for use in closed (process or supply) piping systems.

4. **Packing Material** — Min 3 in. (76 mm) thickness of min 4 pcf (64 kg/m³) mineral wool batt insulation shall be firmly packed into the annular space between the penetrant(s) and device as a permanent form. The packing material is to be installed flush with the top surface of the floor or recessed from the top surface of the device to accommodate the required thickness of caulk (Item 5).

5. **Fill, Void or Cavity Material*** — **Caulk** — (Optional, Not Shown) - Min 1/4 in. (6 mm) thickness caulk applied within device, flush with top surface of device.

RECTORSEAL — Metacaulk 835+

W Rating only applies when the optional caulk is used.

* Indicates such products shall bear the UL or cUL Certification Mark for jurisdictions employing the UL or cUL Certification (such as Canada), respectively.