

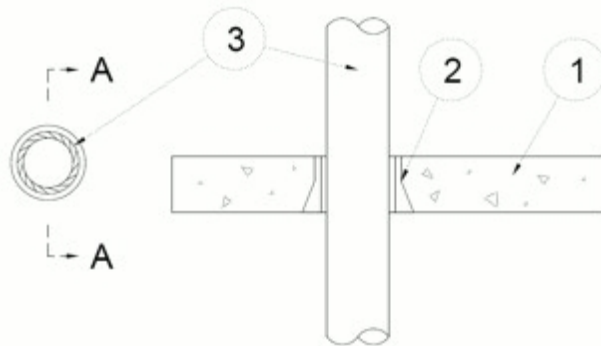
System No. F-A-1074

July 16, 2018

F Rating - 2 Hr

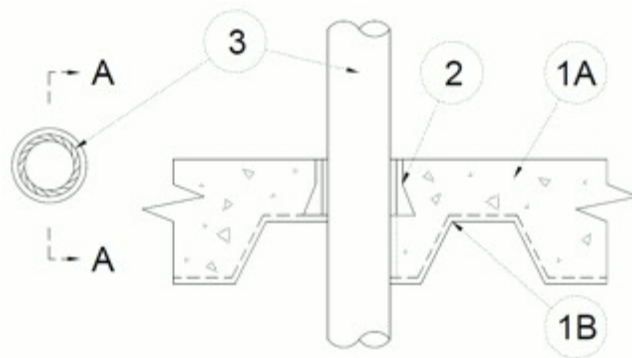
T Ratings - 1/4 and 1/2 Hr (See Item 3)

W Rating - Class 1 (See Item 5)



Section A-A

Config A



Section A-A

Config B

1. Floor Assembly — (Config A), Min 2-1/2 in. (64 mm) thick reinforced lightweight or normal weight (100-150 pcf or 1600-2400 kg/m³) concrete.

1A. Floor Assembly — (Config B) As an option to Item 1. The fire-rated unprotected concrete and steel deck floor assembly shall be constructed of the materials and in the manner specified in the individual D900 Series designs in the UL Fire Resistance Directory and as summarized below:

A. Concrete — Min 2-1/2 in. (64 mm) thick reinforced lightweight or normal weight (100-150 pcf or 1600-2400 kg/m³) concrete.

B. Steel Floor and Form Units* — Composite or noncomposite max 3 in. (76 mm) deep fluted galv units as specified in the individual Floor-Ceiling design.

2. Firestop Devices* — Cast in place firestop device permanently embedded during concrete placement in accordance with accompanying installation instructions. The device shall extend a max of 5-1/2 in. (140 mm) above top surface of floor. The devices are provided in sizes, nom 2, 3, 4 and 6 in. (51, 76, 102 and 152 mm) diam sizes.

RECTORSEAL — Metacaulk Cast -in- Place Device

3. Through Penetrants — One metallic pipe, tubing or conduit installed within the firestop system. Penetrant to be rigidly supported on both sides of floor assembly. The penetrant size shall be matched to the device size and shall not exceed maximum 6 in. nom diameter. A min 1/2 in. (13 mm) annular space shall be maintained between the penetrant and the device. The following types of metallic penetrants may be used:

- A. **Steel Pipe** — Schedule 5 (or heavier) steel pipe.
- B. **Iron Pipe** — Cast or ductile iron pipe.
- C. **Conduit** — Steel conduit or steel electrical metallic tubing.
- D. **Copper Tubing** — Type L (or heavier) copper tubing.
- E. **Copper Pipe** — Regular (or heavier) copper pipe.

The T Rating is 1/2 Hr for penetrants A, B or C. The T Rating is 1/4 Hr for Penetrants D and E.

4. Packing Material — (Optional, Not Shown) Min 3-1/2 in. (89 mm) thickness of min 4 pcf (64 kg/m³) mineral wool batt insulation firmly packed into the annular space between the penetrant and device as a permanent form. When optional caulk (Item 5) is used, packing material to be recessed from top of device to accommodate the required thickness of caulk.

5. Fill, Void or Cavity Material* — Caulk — (Optional, Not Shown) - Min 1/4 in. (6 mm) thickness for 2-in. (51 mm), 3 in. (76 mm) and 4 in. (102 mm) CIP device and min 3/8 in. (10 mm) thickness for (152 mm) 6 in. CIP device. Caulk applied within device, flush with top surface of device.

RECTORSEAL — Metacaulk 835+ or Metacaulk 1200

W Rating only applies when the optional caulk is used.

*** Indicates such products shall bear the UL or cUL Certification Mark for jurisdictions employing the UL or cUL Certification (such as Canada), respectively.**