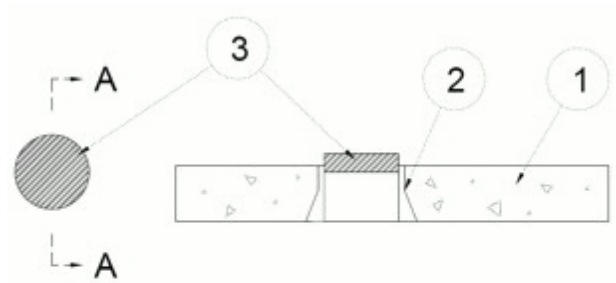


System No. F-A-0016

July 13, 2018

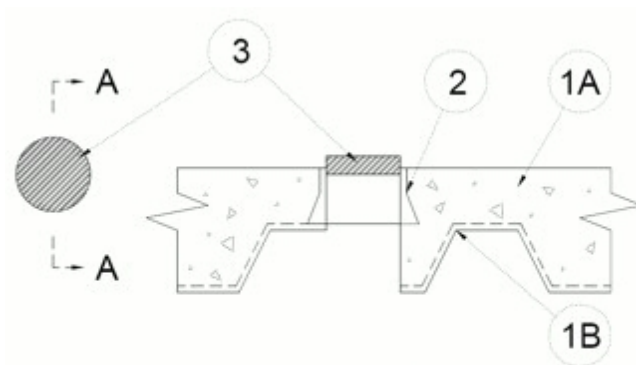
F Rating - 4 Hr

T Ratings - 2-3/4 and 3 Hr (See Item 2)



Section A-A

Config A



Section A-A

Config B

1. **Floor Assembly** — (Config A) Min 4-1/2 in. (114 mm) thick reinforced lightweight or normal weight (100-150 pcf or 1600-2400 kg/m³) concrete.

1A. **Floor Assembly** — (Config B) As an alternate to item 1. The fire-rated unprotected concrete and steel deck floor assembly shall be constructed of the materials and in the manner specified in the individual D900 Series designs in the UL Fire Resistance Directory and as summarized below:

A. **Concrete** — Min 4-1/2 in. (64 mm) thick reinforced lightweight or normal weight (100-150 pcf or 1600-2400 kg/m³) concrete.

B. **Steel Floor and Form Units*** — Composite or non-composite max 3-in. (76 mm) deep fluted galv units as specified in the individual Floor-Ceiling design.

2. **Firestop Device*** — Cast in place firestop device permanently embedded during concrete placement in accordance with accompanying installation instructions. The device may project up to a max of 1-in. (25.4 mm) above top surface of floor or may be trimmed flush with top surface of floor. The devices are provided in sizes, nom 2, 3, 4 and 6 in. (51,76,102 and 152 mm) diam. After installation of putty (Item 4) the device cap is secured to device base with a minimum 4 metal screws and bailing wire in accordance with manufactures installation instructions.

RECTORSEAL — Metacaulk Cast-in-Place Device

The T Rating is 3 Hr for the 2-in. (51 mm), 3 in. (76 mm) and 6 in. (152 mm) devices. For the 4-in. devices, the T Rating is 2-3/4 Hr.

3. Fill, Void or Cavity Material* — Putty — Min 1 in. (25.4 mm) thickness of material applied within cap of the device. The cap is then secured to base of device in accordance with manufacturer's instructions.

RECTORSEAL — Metacaulk Fire Rated Putty

*** Indicates such products shall bear the UL or cUL Certification Mark for jurisdictions employing the UL or cUL Certification (such as Canada), respectively.**