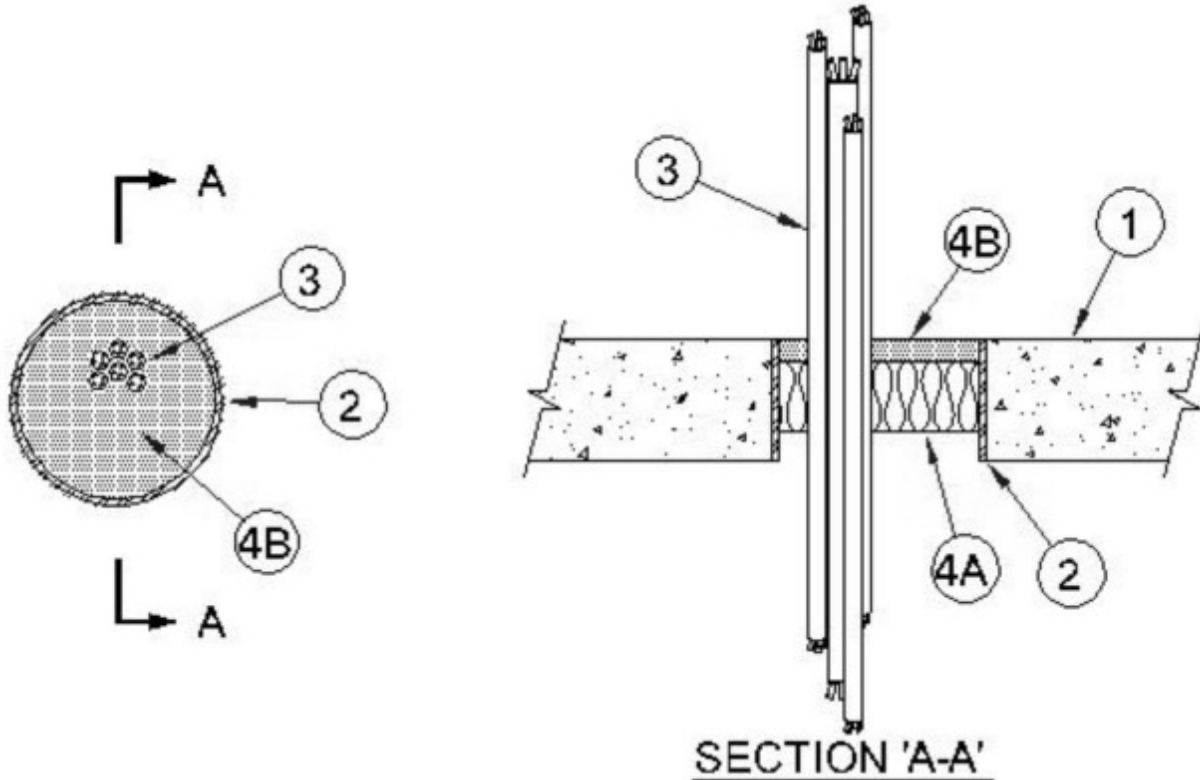




System No. C-AJ-3286

July 16, 2014

ANSI/UL1479 (ASTM E814)	CAN/ULC S115
F Rating — 3 Hr	F Rating — 3 Hr
T Rating — 1/2 Hr	FT Rating — 1/2 Hr
	FH Rating — 3 Hr
	FTH Rating — 1/2 Hr



1. **Floor or Wall Assembly** — Min 4-1/2 in. (114 mm) thick reinforced lightweight or normal weight (100-150 pcf or 1600-2400 kg/m³) concrete. Floor may also be constructed of any min 6 in. thick UL Classified hollow-core **Precast Concrete Units***. Wall may also be constructed of any UL Classified **Concrete Blocks***. Max diam of opening is 6 in. (152 mm).

See **Concrete Blocks** (CAZT) category in the Fire Resistance Directory for names of manufacturers.

2. **Nonmetallic Sleeve (Optional)** — Nom 6 in. diam (or smaller) Schedule 40 polyvinyl chloride (PVC) pipe cast or grouted into floor or wall assembly, flush with floor or wall surfaces.

3. **Cables** — Aggregate cross-sectional area of cable bundle in opening to be max 45 percent of the cross-sectional area of the opening. Min separation between cable bundle and between cables and periphery of opening is 1/4 in. Max annular space between cable bundle and periphery of opening is 2 in. Cables to be rigidly supported on both sides of floor or wall assembly. The following types and sizes of copper or aluminum conductor cables may be used:

- A. Max 1/C 350 kcmil cable with crosslinked polyethylene (XLPE) jacket.
- B. Max 400 pair No. 24 AWG cable with PVC insulation and jacket.
- C. Max. 3/C No. 2/0 AWG aluminum conductor SER cable with PVC insulation and jacketing.

D. Max. 3/C No. 12 AWG copper conductor cable with PVC insulation and jacket (Romex).

E. Max. RG59/U copper conductor coaxial cable with fluorinated ethylene insulation and jacket.

F. Max. 62.5/125 fiber optic cable with PVC insulation and jacket.

G. Max. RG/6 No. 18 AWG copper conductor CATV coaxial cable with PVC insulation and jacket.

H. Max. 4/C No. 2/0 AWG copper conductor, steel or aluminum armored or metal clad cable (MC cable).

4. Firestop System — The firestop system shall consist of the following:

A. Packing Material — Min 4 in. thickness of min 4 pcf mineral wool batt insulation firmly packed into opening as a permanent form. Packing material to be recessed from top surface of floor or from both surfaces of wall or hollow-core concrete floor as required to accommodate the required thickness of fill material.

B. Fill, Void or Cavity Material* - Caulk — Min 1/2 in. thickness of fill material applied within the annulus, flush with top surface of floor or with both surfaces of wall. When the floor is constructed of hollow-core precast concrete units, fill material shall be installed symmetrically on both sides of floor, flush with both floor surfaces.

RECTORSEAL — FlameSafe® FS900+, FlameSafe FS1900, Metacaulk MC 150+, Metacaulk 1000, Metacaulk 350i, Biostop BF 150+, Biostop 350i or Biostop 500+

* Indicates such products shall bear the UL or cUL Certification Mark for jurisdictions employing the UL or cUL Certification (such as Canada), respectively.