

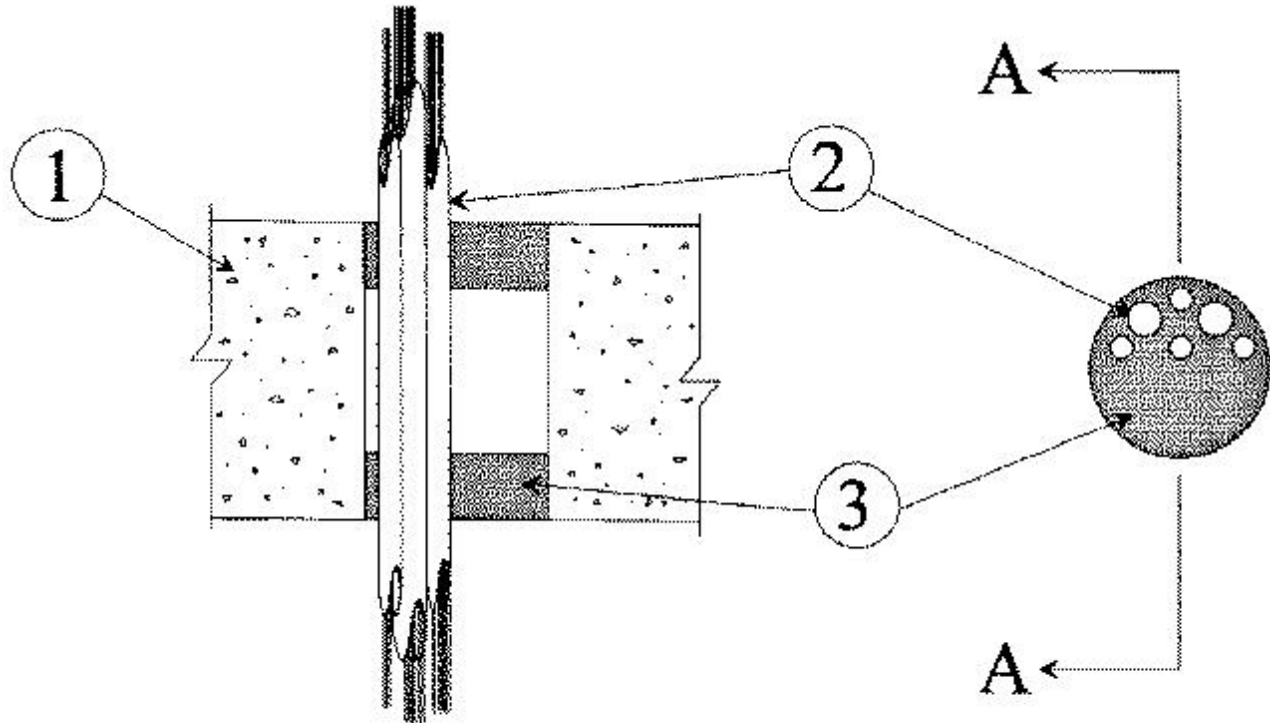


System No. C-AJ-3126

November 11, 1997

F Rating — 2 Hr

T Ratings — 1/2 & 3/4 Hr (See Item 2)



SECTION A-A

1. **Floor or Wall Assembly** — Min 4-1/2 in. thick reinforced lightweight or normal weight (100-150 pcf) concrete. Wall may also be constructed of any UL Classified **Concrete Blocks***. Max diam of opening is 4 in.

See **Concrete Blocks** (CAZT) category in the Fire Resistance Directory for names of manufacturers.

2. **Cables** — Aggregate cross-sectional area of cables in opening to be max 37 percent of the aggregate cross-sectional area of the opening. Min annular space between cables and edge of opening shall be min 0 in. Cables to be rigidly supported on both sides of floor or wall assembly. Any combination of the following types and sizes of copper conductor cables may be used:

A. Max 3/C No. 2 AWG polyvinyl chloride (PVC) jacketed aluminum clad cable with cross-linked polyethylene (XLPE) insulation.

B. Max 2/C No. 14 AWG polyvinyl chloride (PVC) jacketed aluminum clad cable with cross-linked polyethylene (XLPE) insulation.

C. Max 100 pair No. 24 AWG cables with polyvinyl chloride (PVC) insulation and jacket.

T Rating is 1/2 hr for cable C and 3/4 hr for cables A and B.

3. **Fill, Void or Cavity Material*** — **Caulk** — Min 1-1/4 in. thickness of fill material applied within the annulus, flush with both surfaces of floor or wall. Fill material to be forced into interstices of cable group to max extent possible.

*Bearing the UL Classification Mark