

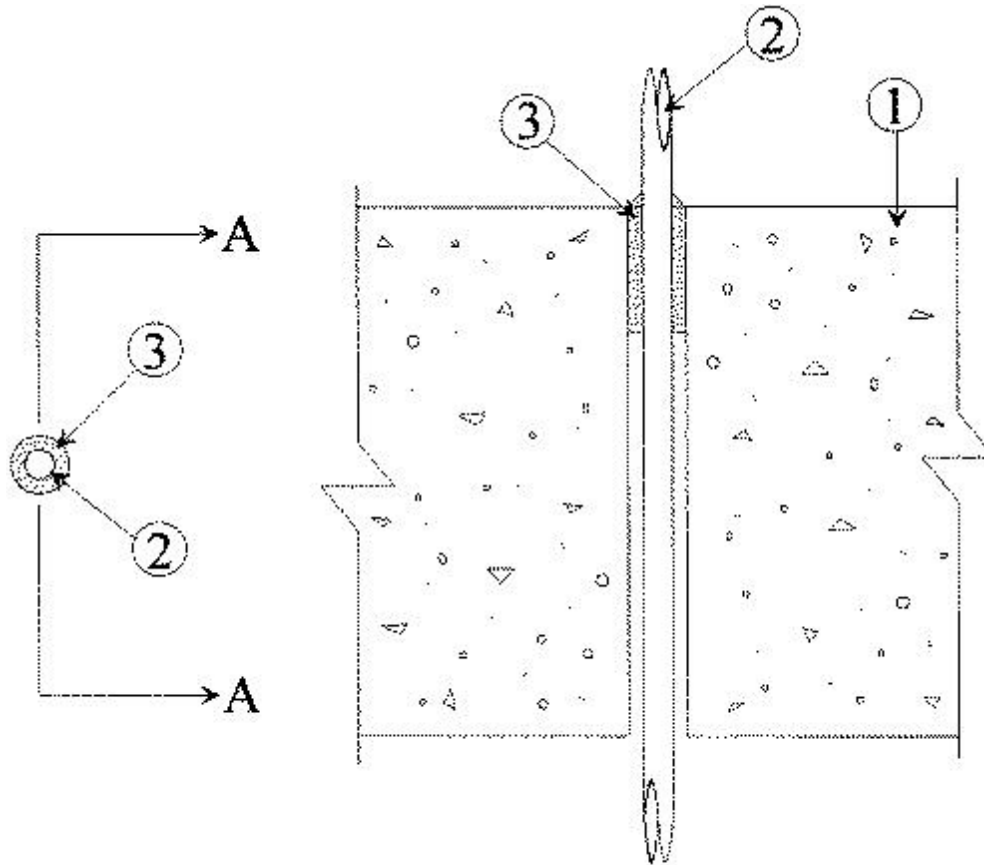


System No. C-AJ-3100

October 29, 1997

F Rating — 3 Hr

T Rating — 2 Hr



SECTION A-A

1. **Floor or Wall Assembly** — Min 4-1/2 in. thick reinforced lightweight or normal weight (100-150 pcf) concrete. Wall may also be constructed of any UL Classified **Concrete Blocks***. Max diam of opening is 1 in.

See **Concrete Blocks** (CAZT) category in the Fire Resistance Directory for names of manufacturers.

2. **Cables** — One cable to be installed either concentrically or eccentrically within the firestop system. Cables to be rigidly supported on both sides of floor or wall assembly. The following type and size of copper conductor cable may be used:

A. Max 25 pair No. 24 AWG (or smaller) polyvinyl chloride (PVC) insulated and jacketed telephone cables. The annular space shall be min 1/4 in. to max 1/2 in.

3. **Fill, Void or Cavity Material*** — **Putty** — Min 1/2 in. thickness of fill material applied within the annulus, flush with top surface of floor or with both surfaces of wall. Additional fill material to be installed such that a min 1/4 in. crown is formed around the penetrating item and top surface of floor or both surfaces of wall.

RECTORSEAL — Metacaulk Fire Rated Putty

*Bearing the UL Classification Mark