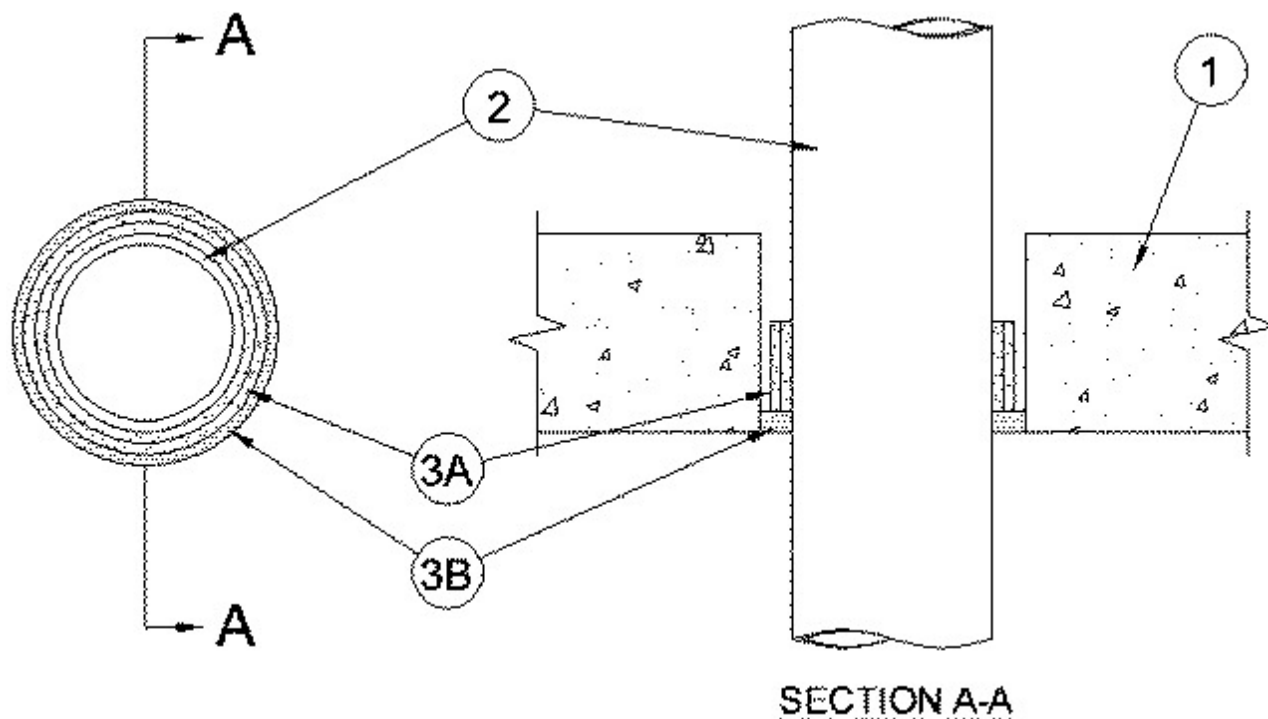


System No. C-AJ-2346

December 20, 2001

F Rating — 3 Hr

T Rating — 0 Hr



1. **Floor or Wall Assembly** — Min 4-1/2 in. thick reinforced lightweight or normal weight (100-150 pcf) concrete floor or min 5 in. thick reinforced lightweight or normal weight (100-150 pcf) concrete wall. Wall may also be constructed of any UL Classified **Concrete Blocks***. Max diam of opening shall be 6 in.

See **Concrete Blocks** (CAZT) category in the Fire Resistance Directory for names of manufacturers.

2. **Through Penetrants** — One nonmetallic penetrant centered within the firestop system. The annular space between pipe and periphery of opening shall be nom 3/4 in. Pipe to be rigidly supported on both sides of the floor assembly. The following types and sizes of non-metallic pipe may be used:

A. **Polyvinyl Chloride (PVC) Pipe** — Nom 4 in. diam (or smaller) Schedule 40 solid core or cellular core PVC pipe for use in closed (process or supply) or vented (drain, waste or vent) piping systems.

B. **Chlorinated Polyvinyl Chloride (CPVC) Pipe** — Nom 4 in. diam (or smaller) SDR 13.5 CPVC pipe for use in closed (process or supply) piping systems.

C. **Acrylonitrile Butadiene Styrene (ABS) Pipe** — Nom 4 in. diam (or smaller) Schedule 40 solid core or cellular core PVC pipe for use in closed (process or supply) or vented (drain, waste or vent) piping systems.

3. **Firestop System** — The details of the firestop system shall be as follows:

A. **Fill, Void or Cavity Materials* - Wrap Strip** — Nom 1/4 in. thick intumescent elastomeric material faced on one side with plastic film, supplied in 2 in. wide strips. Two layers are individually wrapped around the through penetrant with plastic film exposed and ends butted and held in place with tape or tie wire. Butted ends in successive layers shall be offset. Wrap strip recessed 1/2 in. from bottom of floor or from the surface of each wall.

RECTORSEAL — Metacaulk Wrap Strip

B. Fill, Void or Cavity Materials* - Caulk — Nom ½ in. thickness of fill material applied within the annulus, flush with bottom surface of floor or both surfaces of wall.

RECTORSEAL — Metacaulk 1000

*Bearing the UL Classification Mark