

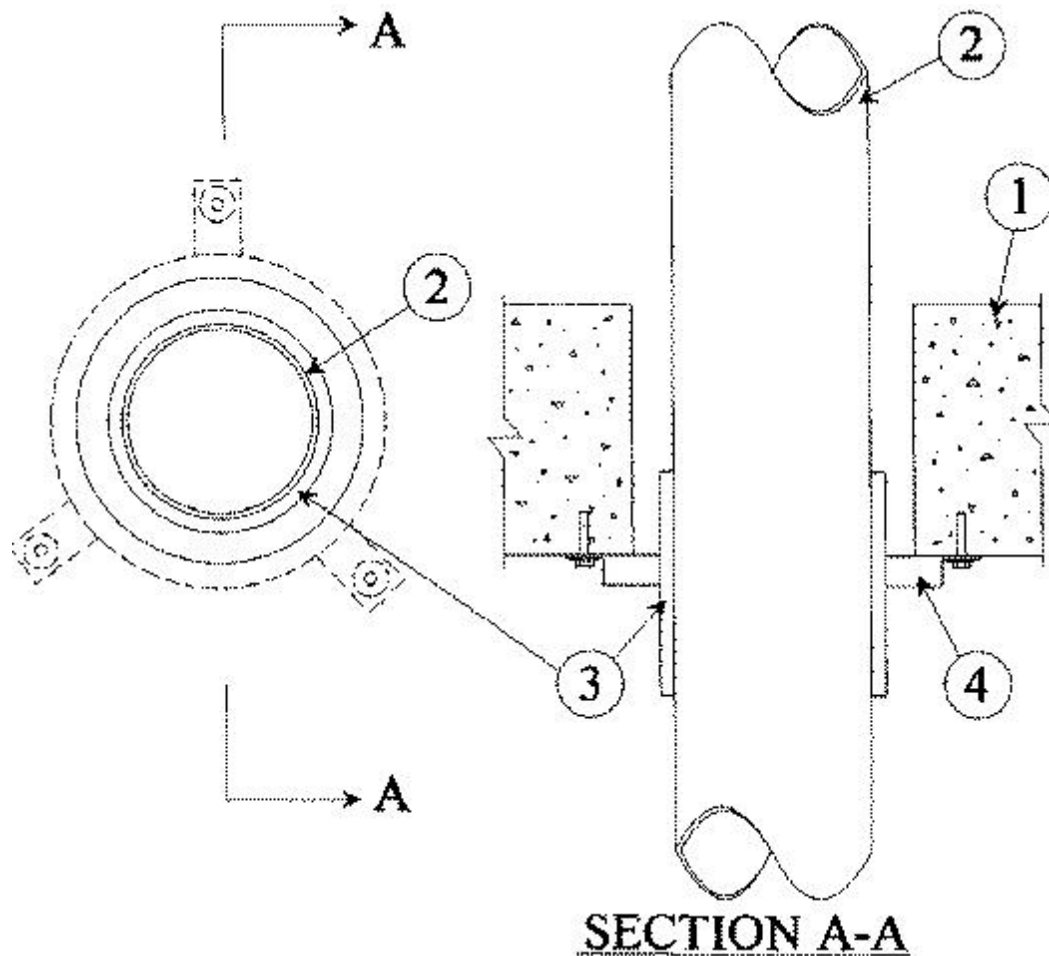


System No. C-AJ-2180

November 12, 1997

F Rating — 3 Hr

T Rating — 3 Hr



1. **Floor or Wall Assembly** — Min 4-1/2 in. thick reinforced lightweight or normal weight (100-150 pcf) concrete. Wall may also be constructed of any UL Classified **Concrete Blocks***. Max diam of opening is 4-1/2 in.

See **Concrete Blocks** (CAZT) category in the Fire Resistance Directory for names of manufacturers.

2. **Nonmetallic Pipe** — Nom 3 in. diam (or smaller) Schedule 40 polyvinyl chloride (PVC) pipe for use in closed (process or supply) or vented (drain, waste or vent) piping systems. One pipe to be centered within the firestop system. A nom annular space of 1/2 in. is required within the firestop system. Pipe to be rigidly supported on both sides of floor or wall assembly.

3. **Coupler** — Nom 3 in. diam (or smaller) Schedule 40 polyvinyl chloride (PVC) coupler installed at bottom surface of floor or either surface of wall. Coupler to be installed such it coincides with the firestop device (Item 4).

4. **Firestop Device*** — Galv steel collar lined with an intumescent material sized to fit specific diam of the through penetrant or coupler. Device to be installed around through penetrant or coupler in accordance with accompanying installation instructions. In floors, one device shall be installed below the floor. The nom size of device shall be 1 in. larger than nom diameter of pipe. In walls, one device is to be installed on each side of wall. One side of wall containing the coupler, nom size of device shall be 1 in. larger than nom diameter of pipe. When device is used over coupler, a 1 in. wide wrap strip shall be inserted into the collar prior to its securement to the floor or wall. Device incorporates three anchor tabs for securement to concrete floor or wall by means of 1/4 in. diam by 1-1/4 in. long steel expansion bolts in conjunction with min 3/4 in. diam washers.

*Bearing the UL Classification Mark