

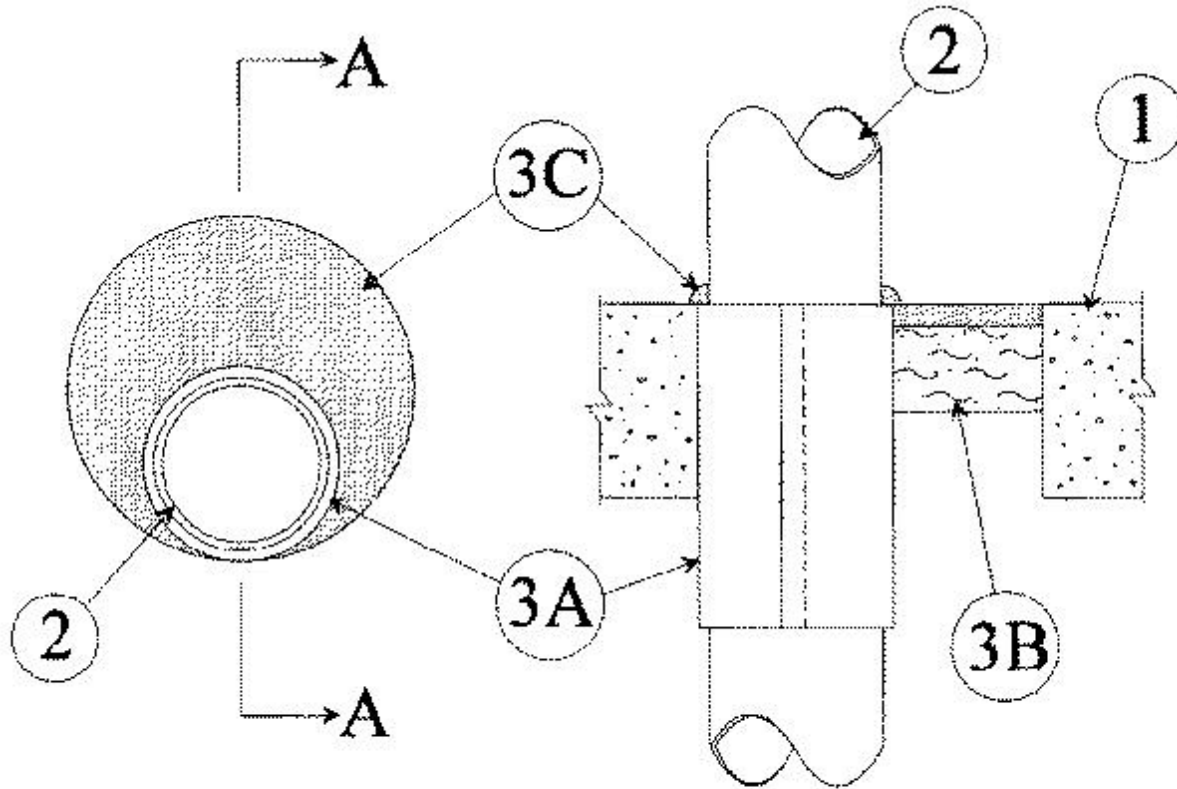


System No. C-AJ-2171

March 09, 2011

F Rating — 2 Hr

T Rating — 0 Hr



SECTION A-A

1. **Floor or Wall Assembly** — Min 4-1/2 in. (114 mm) thick reinforced lightweight or normal weight (100-150 pcf or 1600-2400 kg/m³) concrete. Wall may also be constructed of any UL Classified **Concrete Blocks***. Floor may also be constructed of any min 6 in. thick UL Classified hollow-core **Precast Concrete Units***. If the firestop system is installed within a hollow-core precast concrete unit, max dimension of opening shall be 7 in. (178 mm), otherwise max diam of opening is 8 in. (203 mm).

See **Concrete Block** (CAZT) and **Precast Concrete Units** (CFTV) categories in the Fire Resistance Directory for names of manufacturers.

1A. **Steel Deck/Floor Assembly** — (Not Shown) — As an alternate to Item 1, the floor assembly may consist of a fluted steel deck/concrete floor assembly. The floor assembly shall be constructed of the materials and in the manner described in the individual Floor-Ceiling Design in the UL Fire Resistance Directory and shall include the following construction features:

1. **Steel Floor and Form Units*** — 1-1/2 to 3 in. (38 to 76 mm) deep galv fluted units.

2. **Concrete** — Min 4-1/2 in. (114 mm) thick reinforced lightweight or normal weight (100-150 pcf or 1600-2400 kg/m³) concrete, as measured from the top plane of the floor units.

2. **Through Penetrants** — One nonmetallic pipe or conduit to be installed either concentrically or eccentrically within the firestop system. The pipe or conduit to be rigidly supported on both sides of floor or wall. The following types and sizes of pipes or conduits may be used:

A. **Polyvinyl Chloride (PVC) Pipe** — Nom 4 in. (102 mm) diam (or smaller) Schedule 40 cellular or solid core PVC pipe for use in closed (process or supply) or vented (drain, waste or vent) piping systems.

B. **Chlorinated Polyvinyl Chloride (CPVC) Pipe** — Nom 4 in. (102 mm) diam (or smaller) SDR 13.5 CPVC pipe for use in closed (process or supply) piping systems.

C. **Rigid Nonmetallic Conduit+** — Nom 4 in. (102 mm) diam (or smaller) Schedule 40 PVC conduit installed in accordance with the National Electrical Code, (NFPA No. 70).

The required annular space is dependent upon the nom diam of the through penetrant as shown in the table below.

Nom Diam of Through Penetrant, In. (mm)	Min and Max Annular Space, In. (mm)
2 (51)	1/4, 3 (6, 76)
3 (76)	1/2, 3 (13, 76)
4 (102)	1/2, 3 (13, 76)

3. **Firestop System** — The firestop system shall consist of the following:

A. **Firestop Device** — Galv steel sleeve lined with an intumescent material sized to fit the specific diam of the through penetrant. Device to be wrapped around outer circumference of through penetrant and installed through the annular space of the opening. The device may be secured together by means of min 1/2 in. (13 mm) wide by 0.028 in. (0.71 mm) thick stainless steel hose clamps or min 1/8 in. (3.2 mm) diam by 1/2 in. (13 mm) long steel pop rivets spaced max 4 in. (102 mm) OC. As an option, the device may be secured to the penetrant with 3/4 in. (19 mm) wide by 0.007 in. (0.18 mm) thick glass cloth electrical tape continuously wrapped twice around the outer circumference of through penetrant, spaced a max 2 in. (51 mm) OC. In floors 8 in. (203 mm) or less, the top edge of the device may be installed flush with the top surface and extend a max 3-1/2 in. (89 mm) below the bottom surface of the floor or the bottom edge of the device may be installed flush with the bottom surface of the floor. In floors greater than 8 in., (203 mm) the bottom edge of the device may be installed flush with the bottom surface of the floor or extend a max 3-1/2 in. (89 mm) below the bottom surface of the floor. In walls having a nominal thickness of 8 in. (203 mm) or less, the device shall be centered within the wall and extend equally beyond each surface of the wall. In walls having a nominal thickness greater than 8 in. (203 mm), two devices shall be installed within the opening with butted ends and extend equally beyond each surface of the wall.

RECTORSEAL — FlameSafe @Intumescent Sleeve, Metacaulk Intumescent Sleeve or Biostop Intumescent Sleeve

B. **Packing Material** — Min 2 in. (51 mm) thickness of min 4 pcf (64 kg/m³) mineral wool batt insulation firmly packed into opening as a permanent form. Packing material to be recessed from top surface of floor or from both surfaces of wall as required to accommodate the required thickness of fill material. When the floor is constructed of hollow-core precast concrete units, packing material shall be recessed from both surfaces of floor to accommodate the required thickness of fill material.

C. **Fill, Void or Cavity Material*** — **Sealant** — Min 1/2 in. (13 mm) thickness of fill material applied within the annulus, flush with top surface of floor or with both surfaces of wall. When the floor is constructed of hollow-core precast concrete units, fill material shall be installed symmetrically on both sides of floor, flush with both floor surfaces. Additional fill material to be installed such that a min 1/4 in. (6 mm) crown is formed around the through penetrant on top surface of floor or on both surfaces of wall and hollow-core precast concrete units.

RECTORSEAL — FS 900, MC150+ or BF-150+ Sealant

*Bearing the UL Classification Marking

+Bearing the UL Listing Mark

[Questions?](#)

[Print this page](#)

[Notice of Disclaimer](#)

[Page Top](#)

[Copyright © 2011 Underwriters Laboratories Inc.®](#)

The appearance of a company's name or product in this database does not in itself assure that products so identified have been manufactured under UL's Follow-Up Service. Only those products bearing the UL Mark should be considered to be Listed and covered under UL's Follow-Up Service. Always look for the Mark on the product.

UL permits the reproduction of the material contained in the Online Certification Directory subject to the following conditions: 1. The Guide Information, Designs and/or Listings (files) must be presented in their entirety and in a non-misleading manner, without any manipulation of the data (or drawings). 2. The statement "Reprinted from the Online Certifications Directory with permission from Underwriters Laboratories Inc." must appear adjacent to the extracted material. In addition, the reprinted material must include a copyright notice in the following format: "Copyright © 2011 Underwriters Laboratories Inc.®"

An independent organization working for a safer world with integrity, precision and knowledge.

