

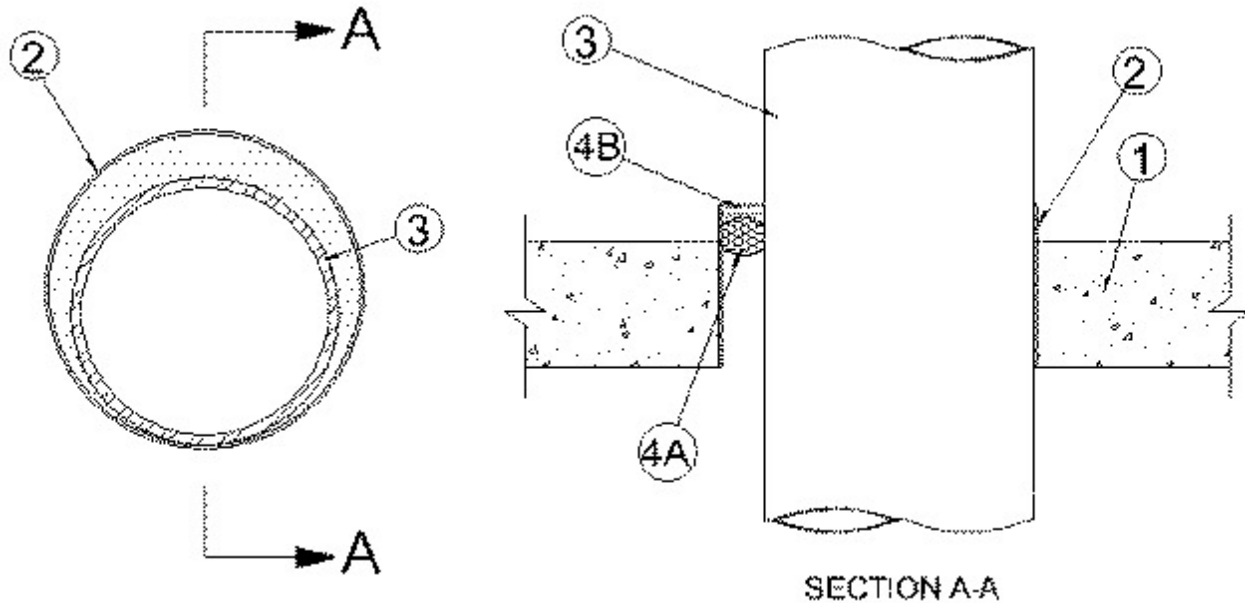


System No. C-AJ-1541

September 22, 2005

F Rating — 3 Hr

T Rating — 0 Hr



1. **Floor or Wall Assembly** — Min 4-1/2 in. (114 mm) thick reinforced lightweight or normal weight (100-150 pcf or 1600-2400kg/m³) concrete. Wall may also be constructed of any UL Classified **Concrete Blocks***. Floor may also be constructed of any min 6 in. (152 mm) thick UL Classified hollow-core **Precast Concrete Units***.

See **Concrete Blocks (CAZT)** and **Precast Concrete Units (CFTV)** categories for names of manufacturers.

2. **Steel Sleeve** — Nom 22 in. (559 mm) diam (or smaller) Schedule 5 (or heavier) steel. Inside diam of steel sleeve to be min 1 in. (25 mm) greater than outside diam of through penetrant (Item 3). Length of steel sleeve to be 1-1/2 in. (38 mm) greater than thickness of floor or 3 in. (76 mm) greater than thickness of wall. Steel sleeve to project 1-1/2 in. (38 mm) beyond top surface of floor or both sides of wall. When precast concrete units are used, the sleeve shall not exceed nom 6 in. (152 mm) diam.

3. **Through Penetrant** — One metallic pipe or conduit to be installed either concentrically or eccentrically within the firestop system. The annular space between the through penetrant and the periphery of the steel sleeve shall be min 0 in. (point contact) to a max of 1-3/4 in. (44 mm). Through penetrant to be rigidly supported on both sides of floor or wall assembly. The following types and sizes of metallic pipe or conduit may be used:

A. **Steel Pipe** — Nom 20 in. (508 mm) diam (or smaller) Schedule 10 (or heavier) steel pipe.

B. **Iron Pipe** — Nom 20 in. (508 mm) diam (or smaller) cast or ductile iron pipe.

C. **Steel Conduit** — Nom 6 in. (152 mm) diam (or smaller) rigid steel conduit or nom 4 in. (102 mm) diam (or smaller) steel electrical metallic tubing (EMT).

D. **Copper Tube** — Nom 6 in. (152 mm) diam (or smaller) Type L (or heavier) copper tubing.

E. **Copper Pipe** — Nom 6 in. (152 mm) diam (or smaller) Regular (or heavier) copper pipe.

4. **Firestop System** — The firestop system shall consist of the following:

A. **Packing Material** — (Optional) — Polyethylene backer rod firmly packed into annular space as a permanent form. Packing material to be recessed min 1/2 in. (13 mm) from top of sleeve in

floor or from both ends of sleeve in wall to accommodate the caulk fill material (Item 5).

B. Fill, Void or Cavity Material* - Caulk — Applied to fill the annular space to a min depth of 1/2 in. (13 mm) flush with the top edge of steel sleeve in floor or both ends of steel sleeve in wall. Min 1/4 in. (6 mm) diam bead of caulk applied to the penetrant/concrete interface at the point contact location on the top surface of floor or both surfaces of wall.

RECTORSEAL — Metacaulk 350i

*Bearing the UL Classification Mark