

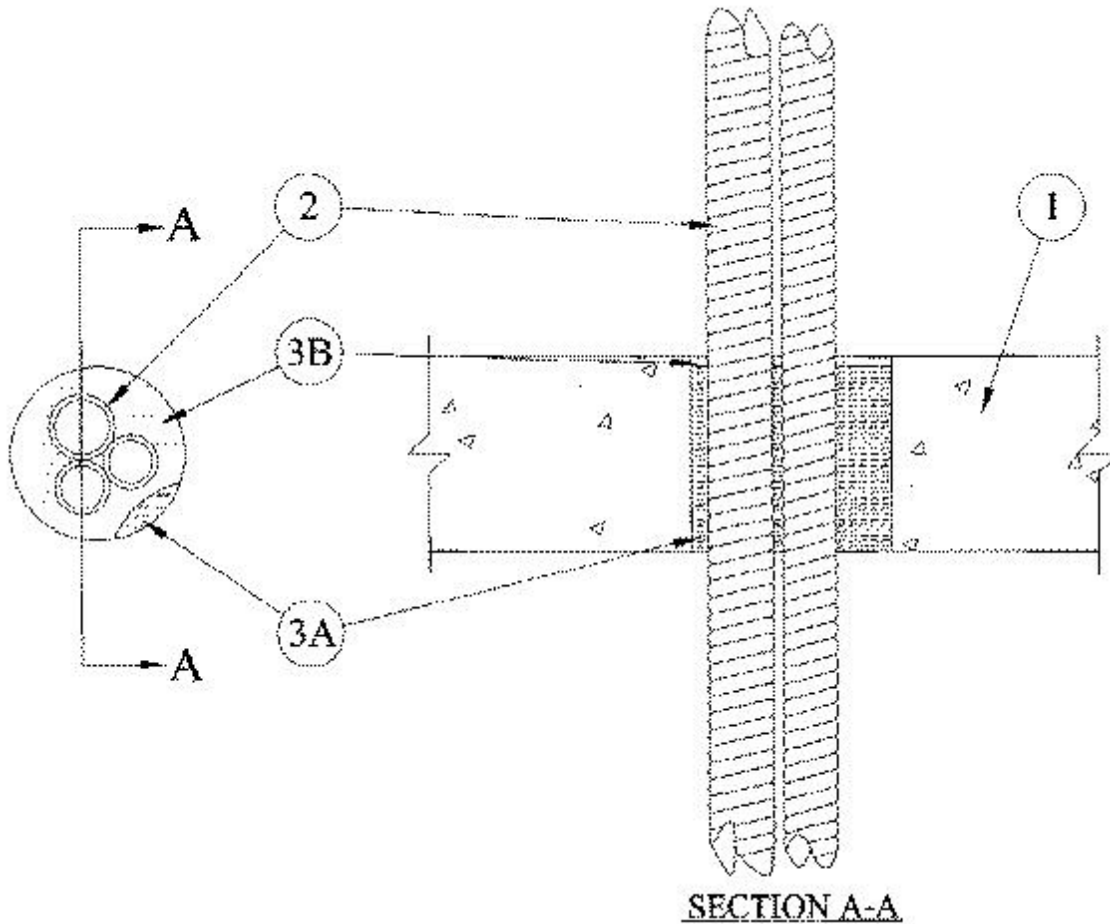


System No. C-AJ-1329

December 03, 1999

F Rating — 3 Hr

T Rating — 2 Hr



1. **Floor or Wall Assembly** — Min 4-1/2 in. thick reinforced lightweight or normal weight (100-150 pcf) concrete. Wall may also be constructed of any UL Classified **Concrete Blocks***. Max diam of opening is 4 in.

See **Concrete Blocks** (CAZT) category in the Fire Resistance Directory for names of manufacturers.

2. **Through Penetrating Product***—**Flexible Metal Piping** — A max of three nom 1-1/4 in. diam (or smaller) steel flexible metal piping to be installed within the firestop system. The annular space between pipes shall be min 1/8 in. to max 1/4 in. The annular space between pipes and periphery of opening shall be min 1/4 in. to max 1-1/2 in. Pipes to be rigidly supported on both sides of floor or wall assembly.

OMEGA FLEX INC

GASTITE, DIV OF TITFLEX

WARD MFG INC

3. **Firestop System** — The firestop system shall consist of the following:

A. **Packing Material** — Min 4-1/4 in. thickness of min 4 pcf mineral wool batt insulation firmly packed into opening as a permanent form. Packing material to be recessed from top surface of floor or from both surfaces of wall as required to accommodate the required thickness of fill

material.

B. Fill, Void or Cavity Material* — Caulk — Min 1/4 in. thickness of fill material applied within the annulus, flush with top surface of floor or with both surfaces of wall.

RECTORSEAL — Metacaulk 1000

*Bearing the UL Classification Mark