



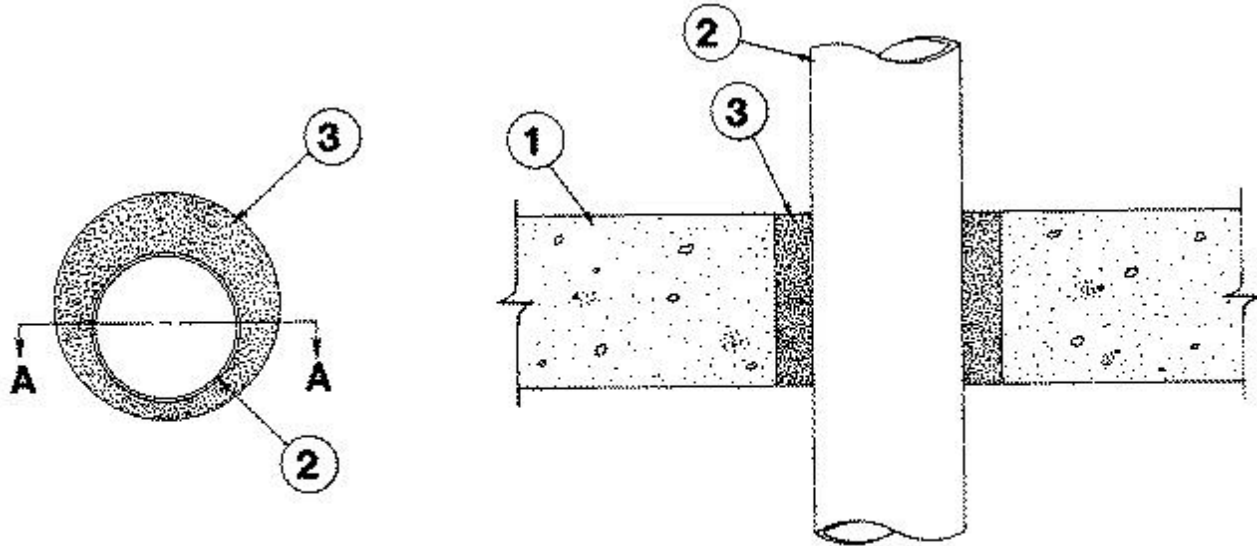
System No. C-AJ-1039

November 29, 1995

(Formerly System No. 274)

F Rating — 1 Hr

T Rating — 1/4 Hr



SECTION A-A

1. **Floor or Wall Assembly** — Min 4-1/2 in. thick reinforced lightweight or normal weight (100-150 pcf) concrete. Wall may also be constructed of any UL Classified **Concrete Blocks***. Max diam of opening is 6 in.

See **Concrete Blocks** (CAZT) category in the Fire Resistance Directory for names of manufacturers.

2. **Aluminum Tubing** — Nom 4 in. diam (or smaller) 0.145 in. thick (or heavier) aluminum tubing for use in closed (process or supply) or vented (drain, waste or vent) piping systems. One tubing to be installed either concentrically or eccentrically within the firestop system. The annular space shall be min 3/8 in. to max 1-5/8 in. Tubing to be rigidly supported on both sides of floor or wall assembly.

3. **Fill, Void or Cavity Material*** — **Caulk** — Min 4-1/2 in. thickness of fill material applied within the annulus, flush with both surfaces of floor or wall.

RECTORSEAL — Metacaulk 950

*Bearing the UL Classification Mark