



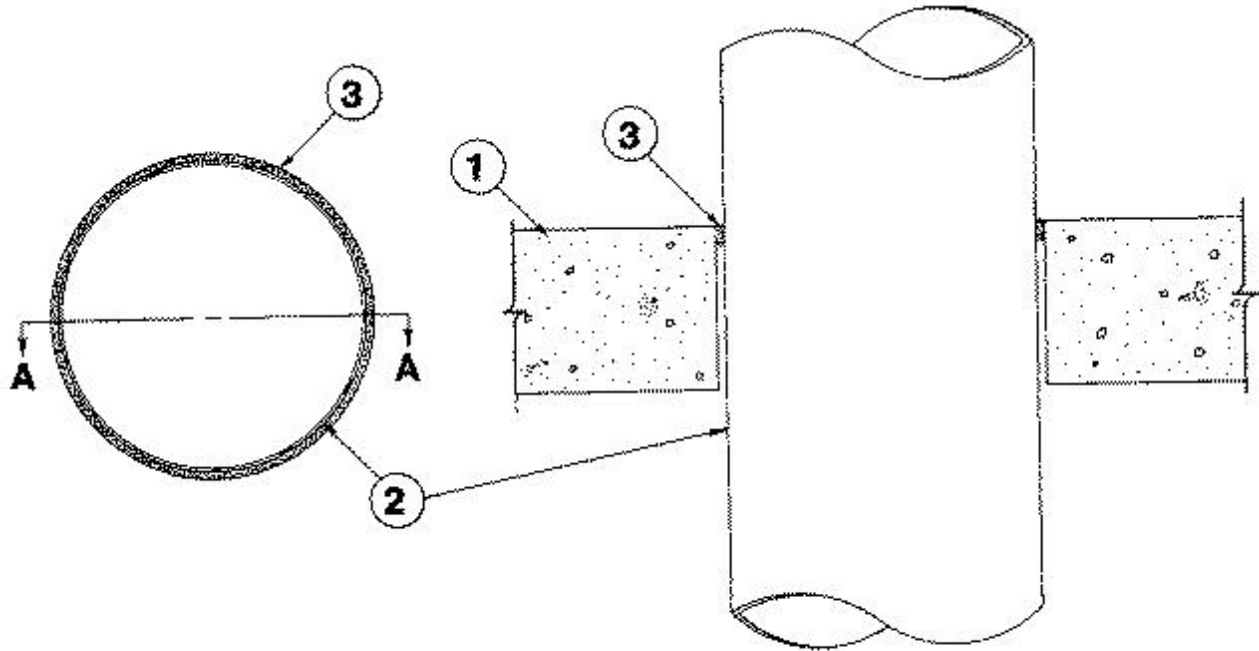
System No. C-AJ-1037

November 19, 1997

(Formerly System No. 272)

F Rating — 2 Hr

T Rating — 1/4 Hr



SECTION A-A

1. **Floor or Wall Assembly** — Min 4-1/2 in. thick reinforced lightweight or normal weight (100-150 pcf) concrete. Wall may also be constructed of any UL Classified **Concrete Blocks***. Max diam of opening is 9 in.

See **Concrete Blocks** (CAZT) category in the Fire Resistance Directory for names of manufacturers.

2. **Steel Pipe** — Nom 8 in. diam (or smaller) Schedule 10 (or heavier) steel pipe. One pipe to be centered within the firestop system. A nom annular space of 3/16 in. is required within the firestop system. Pipe to be rigidly supported on both sides of floor or wall assembly.

3. **Fill, Void or Cavity Material*** — **Caulk** — Caulk fill material to be forced within the annulus to the max extent possible, flush with top surface of floor or with both surfaces of wall.

RECTORSEAL — Metacaulk 835+

*Bearing the UL Classification Mark