



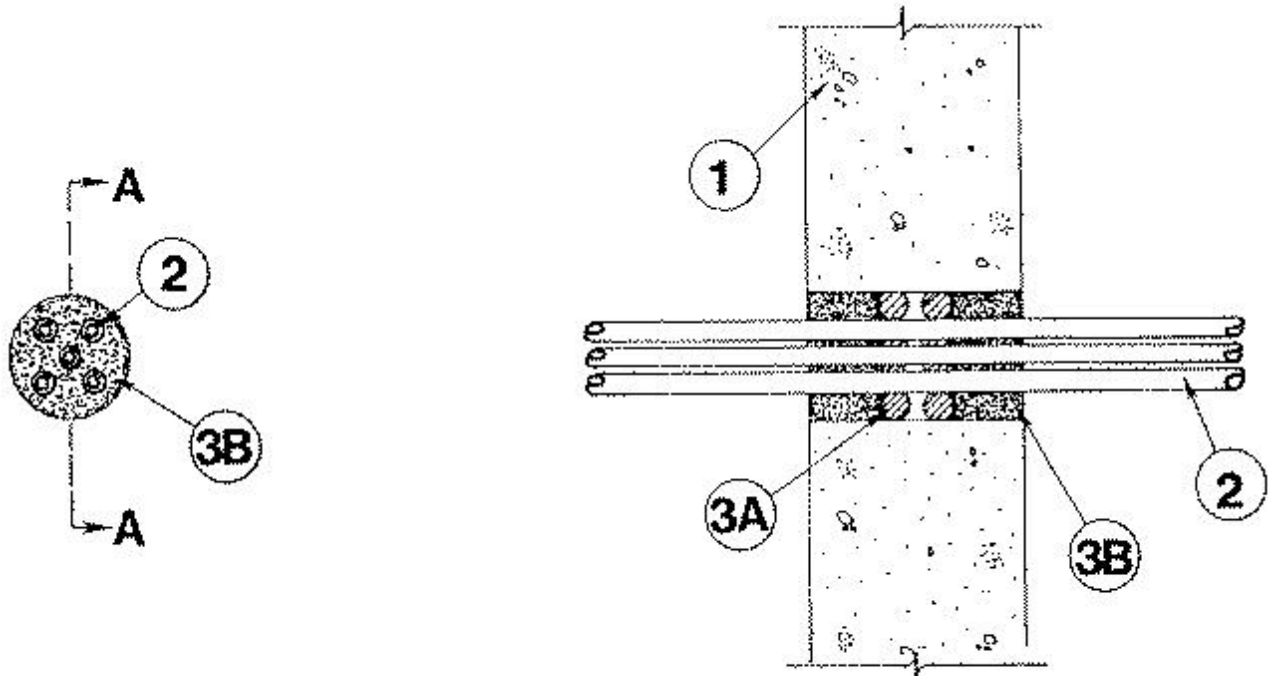
System No. C-AJ-1036

November 29, 1995

(Formerly System No. 270)

F Rating — 2 Hr

T Rating — 1-1/2 Hr



SECTION A-A

1. **Floor or Wall Assembly** — Min 4-1/2 in. thick reinforced lightweight or normal weight (100-150 pcf) concrete. Wall may also be constructed of any UL Classified **Concrete Blocks***. Max diam of opening is 8 in.

See **Concrete Blocks** (CAZT) category in the Fire Resistance Directory for names of manufacturers.

2. **Metallic Pipes** — Nom 1 in. diam (or smaller) Schedule 40 (or heavier) steel pipe. A max of five pipes to be installed within the opening. The space between pipes shall be min 1/2 in. The space between pipes and periphery of opening shall be min 1/2 in. to max 3-1/2 in. Pipes to be rigidly supported on both sides of floor or wall assembly.

3. **Firestop System** — The firestop system shall consist of the following:

A. **Packing Material** — Mineral wool batt insulation firmly packed into opening as a permanent form. Packing material to be recessed from top surface of floor or from both surfaces of wall as required to accommodate the required thickness of fill material. As an option to the above, backer rod and/or foamed plastic backer material may be used.

B. **Fill, Void or Cavity Material*** — **Caulk** — Min 1-1/4 in. thickness of fill material applied within the annulus, flush with top surface of floor or with both surfaces of wall.

RECTORSEAL — Metacaulk 950

*Bearing the UL Classification Mark