



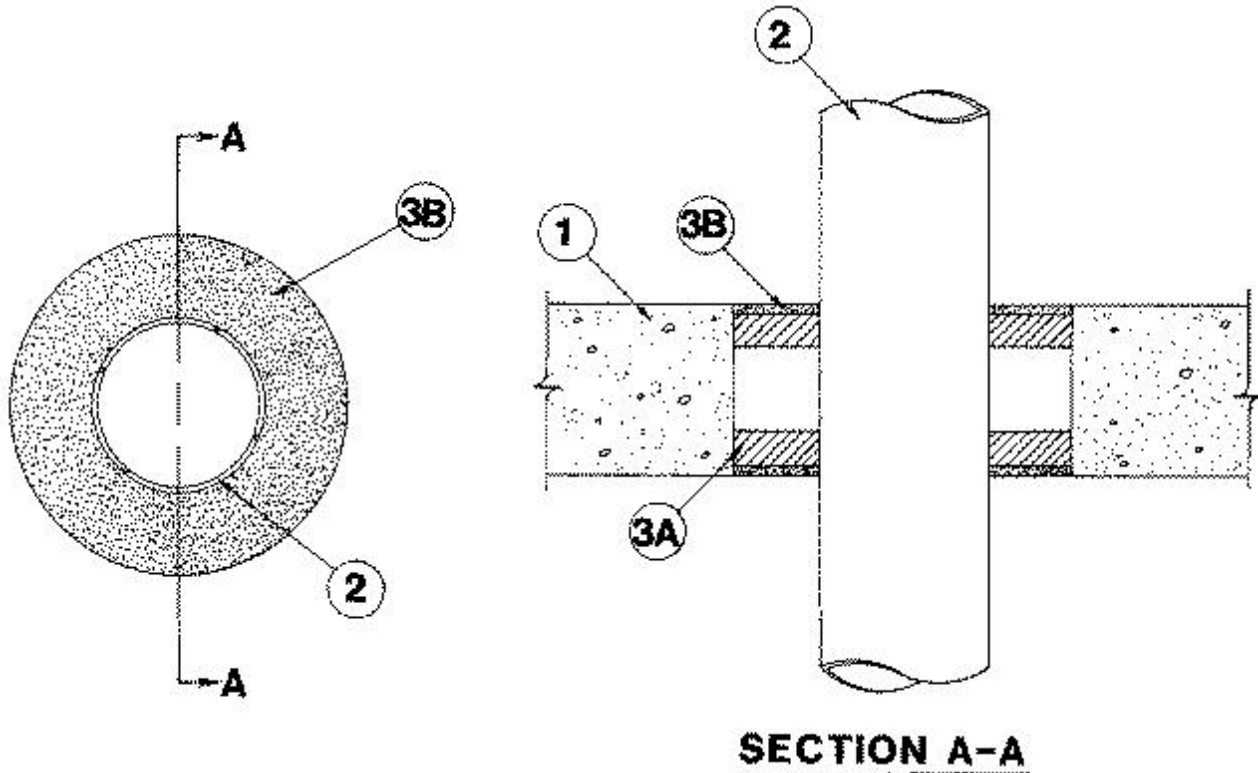
System No. C-AJ-1035

January 06, 1998

(Formerly System No. 268)

F Rating — 2 Hr

T Rating — 1/4 Hr



1. **Floor or Wall Assembly** — Min 4-1/2 in. thick reinforced lightweight or normal weight (100-150 pcf) concrete. Wall may also be constructed of any UL Classified **Concrete Blocks***. Max diam of opening is 8-3/4 in.

See **Concrete Blocks** (CAZT) category in the Fire Resistance Directory for names of manufacturers.

2. **Metallic Pipe** — One metallic pipe, conduit or tubing to be installed either concentrically or eccentrically within the firestop system. Pipe, conduit or tubing to be rigidly supported on both sides of floor or wall assembly. The following types and sizes of metallic pipes, conduits or tubing may be used:

A. **Steel Pipe** — Nom 4 in. diam (or smaller) Schedule 5 (or heavier) steel pipe.

B. **Conduit** — Nom 4 in. diam (or smaller) steel electrical metallic tubing or steel conduit.

3. **Firestop System** — The firestop system shall consist of the following:

A. **Packing Material** — Mineral wool batt insulation firmly packed into opening as a permanent form at the thickness shown in the table below. Packing material to be recessed from both surfaces of floor or wall as required to accommodate the required thickness of fill material. As an option to the above, backer rod and/or foamed plastic backer material may be used.

B. **Fill, Void or Cavity Material*** — **Caulk** — Applied within the annulus, flush with both surfaces of floor or wall as shown in the Table below:

	Min Forming	Type of	Min Fill

Annular Space In.	Mtl Depth In.	Fill Mtl (a)	Mtl Depth In.
3/4 to 3-1/2	1/4	A	1/4
3/4 to 3-1/2	1/2	A	1/2
3/4 to 3-1/2	1	A	1
1/2	1	B	1

A=Rectorseal Corp. — Metacaulk 950

B=The Rectorseal Corp. — Metacaulk 835+

*Bearing the UL Classification Mark