

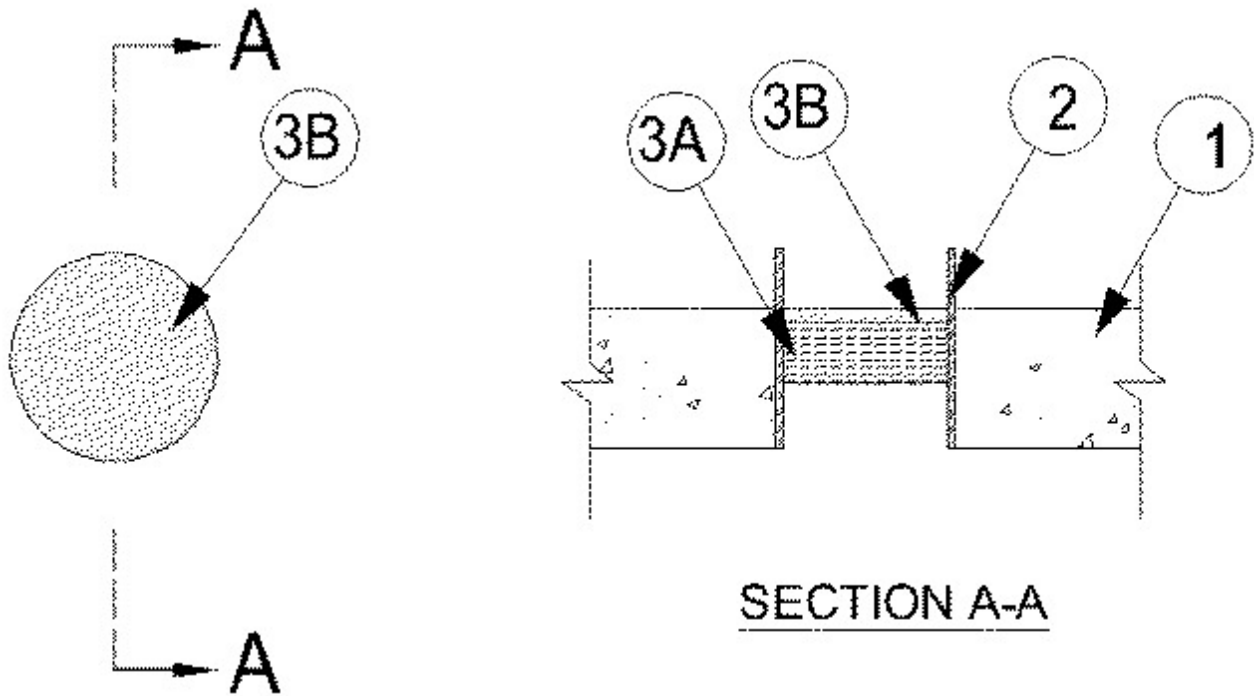


System No. C-AJ-0110

August 31, 2004

F Rating — 2 Hr

T Ratings — 1-3/4 & 2 Hr (See Item 2)



1. **Floor or Wall Assembly** — Min 4-1/2 in. thick reinforced lightweight or normal weight (100-150 pcf) concrete. Wall may also be constructed of any UL Classified **Concrete Blocks***. Max diam of opening is 6 in.

See **Concrete Blocks** (CAZT) category in the Fire Resistance Directory for names of manufacturers.

2. **Steel Sleeve** — (Optional) - Cylindrical sleeve fabricated from 0.036 in. thick (No. 20 gauge) galv sheet steel and having a min 1 in. lap along the longitudinal seam. Steel sleeve to project max 2 in. beyond the top surface of the floor or both surfaces of the wall. Sleeve cast of grouted in the concrete floor or wall.

T Rating is 2 Hr when no sleeve is used.

3. **Firestop System** — The firestop system shall consist of the following:

A. **Packing Material** — Min 2 in. thickness of min 4 pcf mineral wool batt insulation tightly packed into opening as a permanent form. Packing material to be recessed from top surface of floor or from both surfaces of wall as required to accommodate the required thickness of fill material.

B. **Fill, Void or Cavity Material*** — **Caulk** — Min 1/2 in. thickness of fill material applied within the annulus, flush with the top surface of floor or with both surfaces of wall.

RECTORSEAL — MC150+

*Bearing the UL Classification Mark