

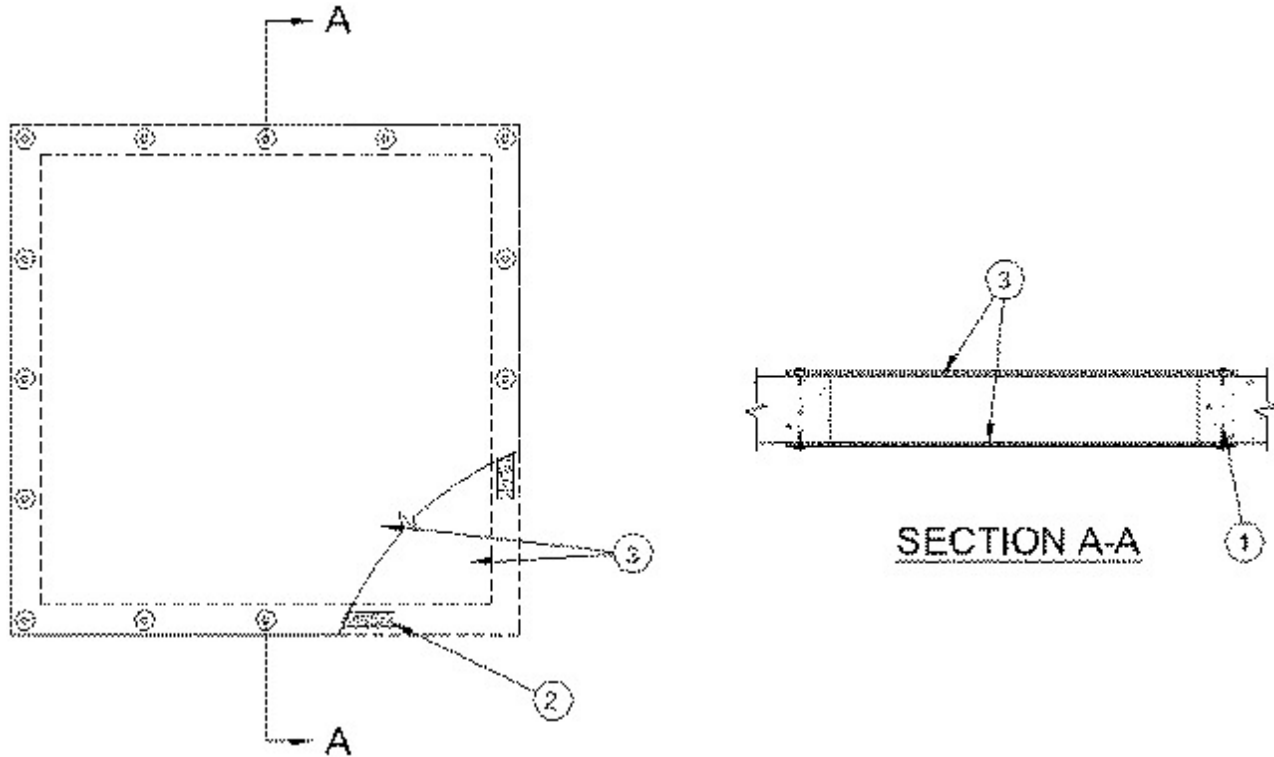


System No. C-AJ-0088

January 19, 2004

F Ratings — 2 and 4 Hr (See Item 3)

T Ratings — 1/2 and 3/4 Hr (See Item 3)



1. **Floor or Wall Assembly** — Lightweight or normal weight (100-150 pcf) concrete. Min thickness of concrete floor or wall assembly to be 4-1/2 in. Wall may also be constructed of any UL Classified **Concrete Blocks***. Max area of opening 900 sq in. with max dimension of 30 in.

See **Concrete Blocks** (CAZT) category in the Fire Resistance Directory for names of manufacturers.

2. **Fill, Void Or Cavity Materials*** — **Putty** — One layer of 1/2 in. wide by 1/8 in. thick strip of putty positioned under intumescent sheet around entire perimeter of through opening on surface of floor or wall.

RECTORSEAL — Metacaulk Fire Rated Putty

3. **Fill, Void Or Cavity Materials*** — **Composite Sheet** — Rigid aluminum foil-faced intumescent sheet with steel mesh and galv steel sheet backer. Sheets cut to lap a min of 2 in. on the floor or wall surfaces. When sheet is installed on both sides of the floor or wall assembly, F Rating is 4 hr and T Rating is 3/4 hr. As an option, the sheet may be installed on only the top surface of the floor to attain a 2 hr F Rating and 1/2 hr T Rating. Sheet to be installed with the galv steel sheet backer exposed (aluminum foil facing against floor or wall surface) and secured to floor or wall surface with min 3/16 in. diam by 1-1/4 in. long steel anchor screws, in conjunction with min 1-1/4 in. diam steel fender washers. Max spacing of fasteners not to exceed 6 in.

RECTORSEAL — Metacaulk Composite Sheet

*Bearing the UL Classification Mark