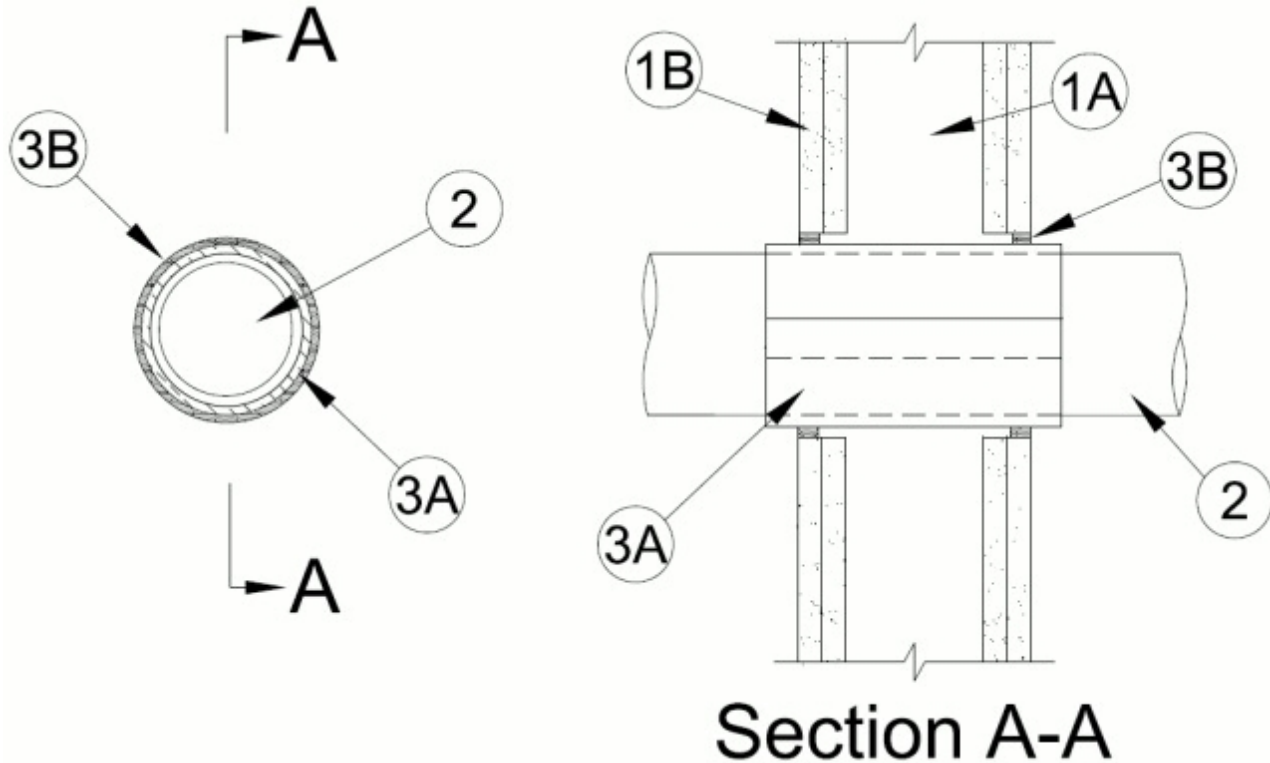




### System No. W-L-2606

May 07, 2015

| ANSI/UL1479 (ASTM E814)             | CAN/ULC S115                          |
|-------------------------------------|---------------------------------------|
| F Ratings — 1 and 2 Hr (See Item 1) | F Ratings — 1 and 2 Hr (See Item 1)   |
| T Ratings — 1 and 2 Hr (See Item 1) | FT Ratings — 1 and 2 Hr (See Item 1)  |
|                                     | FH Ratings — 1 and 2 Hr (See Item 1)  |
|                                     | FTH Ratings — 1 and 2 Hr (See Item 1) |



**System tested with a pressure differential of 50 Pa between the exposed and the unexposed surfaces with the higher pressure on the exposed side.**

**1. Wall Assembly** — The 1 or 2 hr fire-rated gypsum board/stud wall assembly shall be constructed of the materials and in the manner specified in the individual U300, U400, V400 or W400 Series Wall and Partition Design in the UL Fire Resistance Directory and shall include the following construction features:

**A. Studs** — Wall framing may consist of either wood studs or steel channel studs. Wood studs to consist of nom 2 by 4 in. (51 by 102 mm) lumber spaced 16 in. (406 mm) OC. Steel studs to be min 3-1/2 in. (89 mm) wide and spaced max 24 in. (610 mm) OC.

**B. Gypsum Board\*** — Min 5/8 in. (16 mm) with square or tapered edges. Thickness, type, number of layers and fasteners as specified in the individual Wall and Partition Design. Diam of opening shall be max 1-11/16 in. (43 mm) larger than OD of through penetrant. Max diam of opening is 8 in. (203 mm).

**The hourly F, FT, FH and FTH Rating of the firestop system is equal to the hourly fire rating of the wall assembly in which it is installed.**

**2. Through Penetrants** — One nonmetallic pipe to be installed concentrically within the firestop system. The annular space between the pipe and periphery of opening shall be max 7/8 in. (22 mm). Pipe to be rigidly supported on both sides of the wall assembly. The following types and sizes of nonmetallic pipes may be used:

A. **Polypropylene (PP-R) Pipe** — Nom 6 in. diam - 160 mm OD (or smaller) SDR 17.6 MF Aquatherm Blue Pipe for use in closed (process or supply) or vented (drain, waste or vent) piping systems.

3. **Firestop System** — The firestop system shall consist of the following:

A. **Firestop Device** — Galv steel sleeve lined with an intumescent material sized to fit the specific diam of the through penetrant. Device to be installed in accordance with the manufacturer's installation instructions along with the following: Device to be wrapped around outer circumference of through penetrant and installed through the annular space of the opening. The device may be temporarily secured by means of tape or tie wires around the outer circumference of through penetrant to allow for installation of the fill material (Item 3B). The device shall be centered within the wall and extend equally beyond each surface of the wall.

**RECTORSEAL** — FlameSafe® Intumescent Sleeve 68, Metacaulk Intumescent Sleeve 68 or Biostop Intumescent Sleeve 68

B. **Fill, Void or Cavity Material\*** — **Sealant** — Min 1/2 in. (13 mm) thickness of fill material applied within the annulus, flush with both surfaces of wall.

**RECTORSEAL** — Metacaulk 1000, Metacaulk 150+, Biostop 500+, Biostop 150+, FlameSafe 1900

\* Indicates such products shall bear the UL or cUL Certification Mark for jurisdictions employing the UL or cUL Certification (such as Canada), respectively.