



System No. W-J-2003

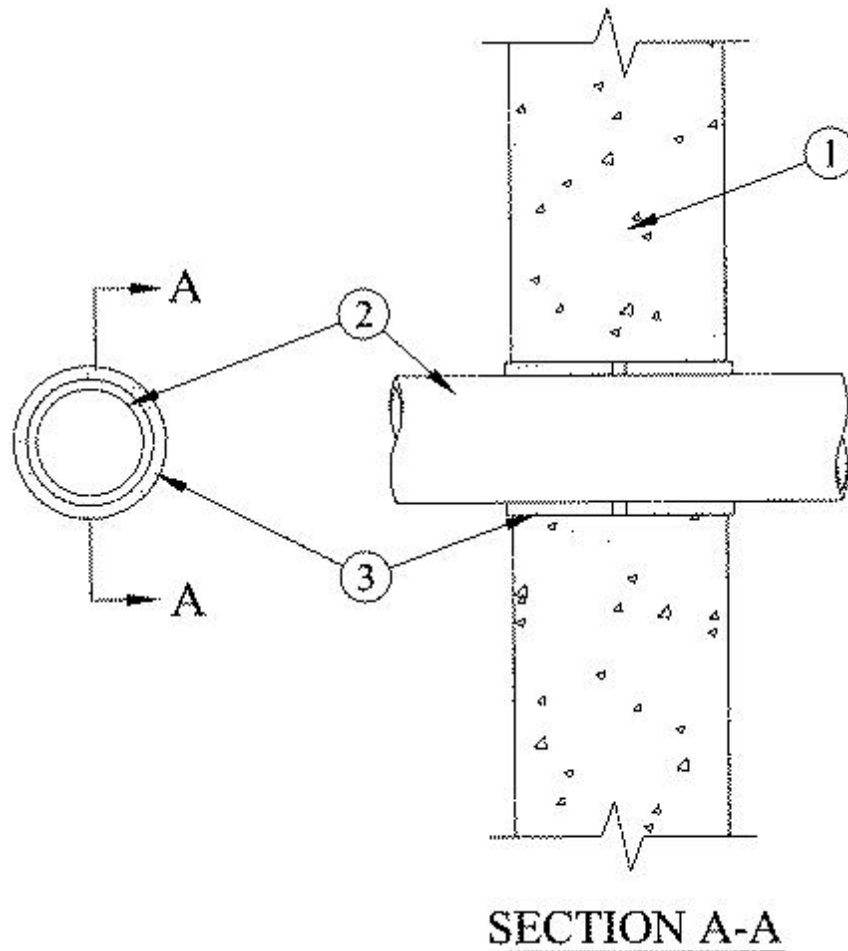
June 19, 2004

F Rating — 2 Hr

FT Rating — 1 Hr

FH Rating — 2 Hr

FTH Rating — 1 Hr



System tested with a pressure differential of 50 Pa between the exposed and the unexposed surfaces with the higher pressure on the exposed side.

1. **Wall Assembly** — Min 152 mm (6 in.) thick reinforced lightweight or normal weight 1600 - 2400 kg/m³ (100-150 pcf) concrete. Wall may also be constructed of any UL Classified **Concrete Blocks***. Max diam of opening is 92 mm (3-5/8 in.)

See **Concrete Blocks** (CAZT) category in the Fire Resistance Directory for names of manufacturers.

2. **Through Penetrants** — One nonmetallic pipe to be positioned within a nom 8 to 16 mm (5/16 to 5/8 in.) range of annular space within the firestop system when one or two layers of wrap strip are used, respectively. Nom 51 mm (2 in.) diam (or smaller) Schedule 40 solid core PVC pipe for use in vented (drain, waste or vent) piping systems. Pipe to be rigidly supported on both sides of wall assembly.

3. **Firestop System** — The firestop system shall consist of the following:

A. **Fill, Void or Cavity Material* - Wrap Strip** — One or two layers of nom 6 mm (1/4 in.) thick by 51mm (2 in.) wide or 2 layers of nom 6 mm (1/4 in.) thick by 25 mm (1 in.) wide wrap strip wrapped around the outer circumference of the pipe and secured with tape or wire and wrap

strip slid into annular space such that the ends are flush with or extend a max of 3 mm (1/8 in.) beyond the surface of the wall. Wrap strips are installed on each surface of the wall.

RECTORSEAL — Metacaulk Wrap Strip

*Bearing the UL Classification Mark